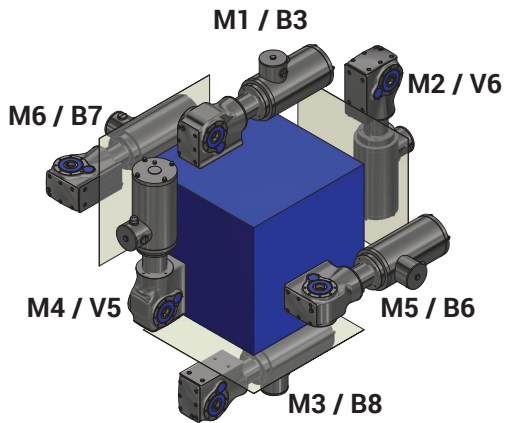
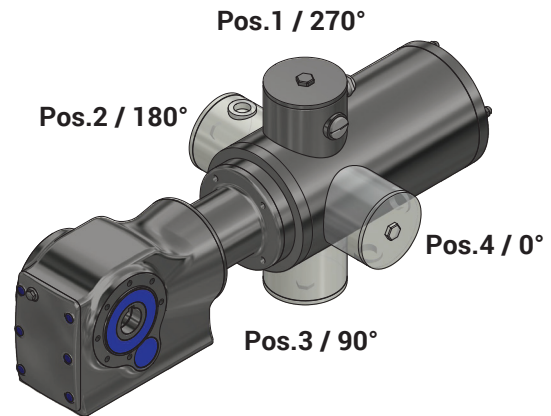


### Mounting Positions



### Terminal Box Positions



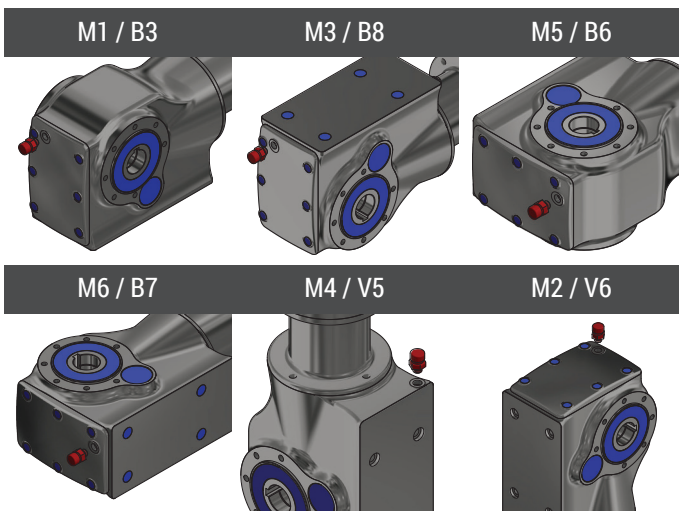
### Lubrication Quantity

Oil Quantity in ML.	Mounting Position					
	M1 (B3)	M3 (B8)	M6 (B7)	M5 (B6)	M4 (V5)	M2 (V6)
Gearbox						
FKA 38	900	900	1000	1000	1400	1000
FKA 48	2000	2000	2000	2000	2700	2300
FKA 68	2900	3750	3900	3900	4100	3100
FKA 78	4000	5000	3750	3750	6000	3750
FKA 88	x	x	x	x	x	x

### Lubrication Type

Lubrication Brand	Lubrication Type	
Matrix	Foodmax 460	Standard
Castrol	Optileb GT 460	Alternative
Bechem	Berusrsynth 460H1	Alternative
Shell	Casida Fluid GL460	Alternative
Mobil	SHC Cibus 460	Alternative

### Debreather Positions



### Weight

Gearbox B5T versions	Weight
FKA 38 B5T1	11.5 Kg
FKA 48 B5T2	16.0 Kg
FKA 68 B5T2	25.5 Kg
FKA 78 B5T3	43.0 Kg
FKA 88 B5T4	x

Gearbox AM versions	Weight
FKA 38 AM..	15.0 Kg
FKA 48 AM..	20.0 Kg
FKA 68 AM..	30 Kg
FKA 78 AM..	50 KG
FKA 88 AM..	x