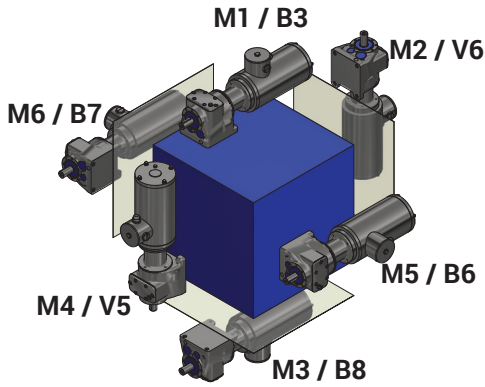
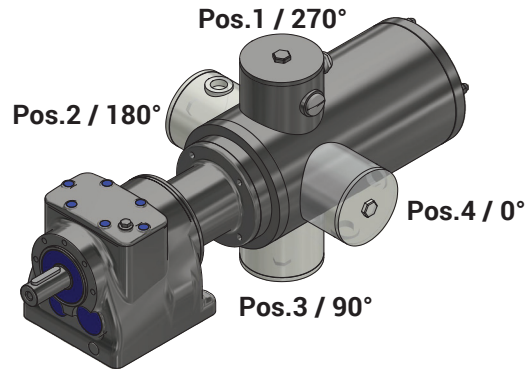


Mounting Positions



Terminal Box Positions



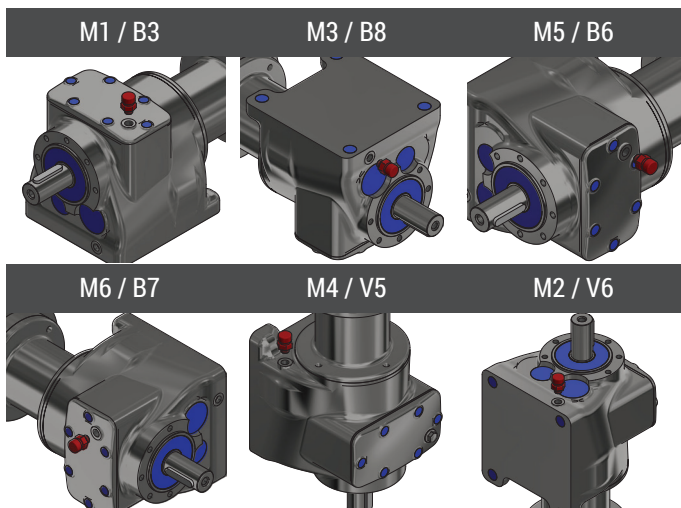
Lubrication Quantity

Oil Quantity in ML.	Mounting Position					
	M1 (B3)	M3 (B8)	M6 (B7)	M5 (B6)	M4 (V5)	M2 (V6)
Gearbox						
FR 38 B5T1 & AM..	1000	1000	1000	1000	1200	1000
FR 48 B5T2 & AM..	2000	1800	1900	1400	2300	2400
FR 58 B5T2 & AM..	3250	2900	3000	2700	3600	3300

Lubrication Type

Lubrication Brand	Lubrication Type	
Matrix	Foodmax 460	Standard
Castrol	Optileb GT 460	Alternative
Bechem	Berusynth 460H1	Alternative
Shell	Casida Fluid GL460	Alternative
Mobil	SHC Cibus 460	Alternative

Debreather Positions



Weight

Gearbox	Weight	Gearbox	Weight
FR 38 B5T1	9.0 Kg	FR 38 AM..	12.5 Kg
FR 48 B5T2	15 Kg	FR 48 AM..	19 Kg
FR 58 B5T2	22.5 Kg	FR 58 AM..	27 Kg

Given values are an average and may vary depending on oil quantity.