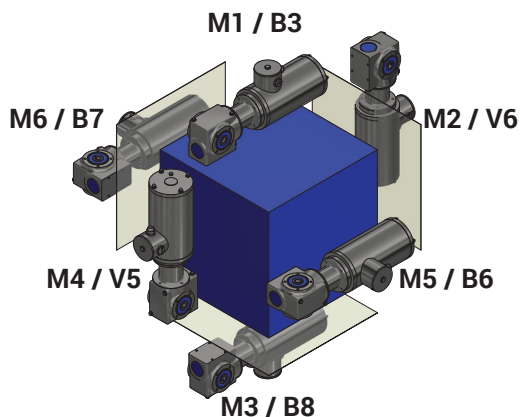
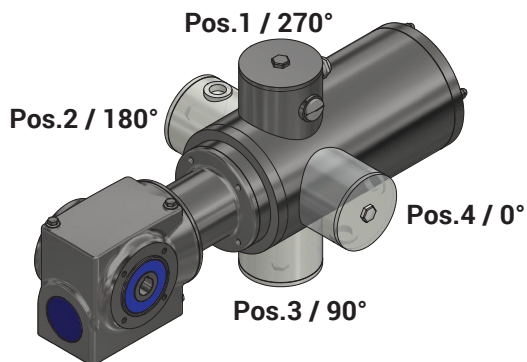


Mounting Positions



Terminal Box Positions



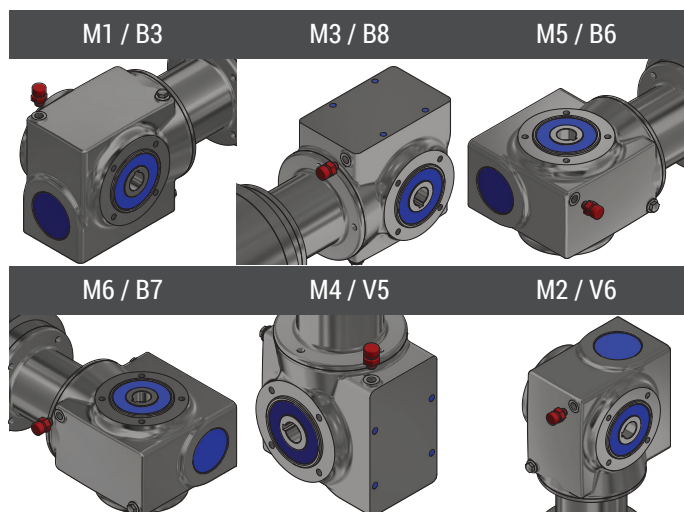
Lubrication Quantity

| Oil Quantity in ML. | Mounting Position | | | | | |
|----------------------|-------------------|---------|---------|---------|---------|---------|
| | M1 (B3) | M3 (B8) | M6 (B7) | M5 (B6) | M4 (V5) | M2 (V6) |
| Gearbox | | | | | | |
| FS(A) 38 B5T1 & AM.. | 400 | 800 | 500 | 500 | 800 | 500 |
| FS(A) 48 B5T1 & AM.. | 750 | 1200 | 750 | 750 | 1300 | 900 |
| FS(A) 58 B5T1 & AM.. | 1300 | 1800 | 1300 | 1300 | 2050 | 1400 |
| FS(A) 68 B5T1 & AM.. | 2500 | 3200 | 2200 | 2200 | 3500 | 2500 |

Lubrication Type

| Lubrication Brand | Lubrication Type | |
|-------------------|--------------------|-------------|
| Matrix | Foodmax 460 | Standard |
| Castrol | Optileb GT 460 | Alternative |
| Bechem | Berusynth 460H1 | Alternative |
| Shell | Casida Fluid GL460 | Alternative |
| Mobil | SHC Cibus 460 | Alternative |

Debreather Positions



Weight

| Gearbox | Weight |
|---------------|---------|
| FS(A) 38 B5T1 | 7.5 Kg |
| FS(A) 48 B5T1 | 10.5 Kg |
| FS(A) 58 B5T1 | 14.5 Kg |
| FS(A) 68 B5T2 | 22.5 Kg |

| Gearbox | Weight |
|---------------|--------|
| FS(A) 38 AM.. | 11 Kg |
| FS(A) 48 AM.. | 14 Kg |
| FS(A) 58 AM.. | 18 Kg |
| FS(A) 68 AM.. | 27 Kg |

Given values are an average and may vary depending on oil quantity.