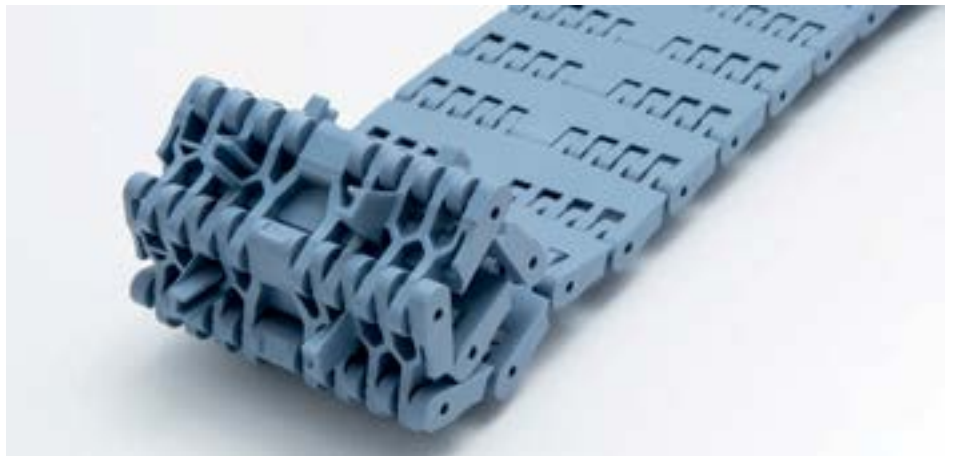


movexii.com



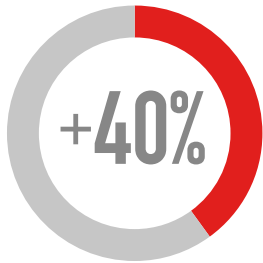
Metric Version
2019



Movex[®]
PRODUCT CATALOG

Movex[®]

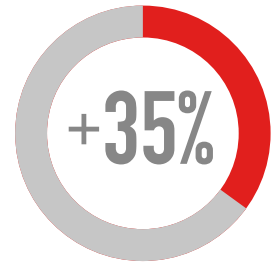
Facts



PRODUCTION
CAPACITY

16.500 Mq²
OF PRODUCTION SPACE

REFERENCE YEAR 2018



WAREHOUSE
CAPACITY

>23.000 DIFFERENT
PRODUCTS AVAILABLE

>200 EMPLOYEES
AROUND THE WORLD



MISSION

Creating value through innovative development of ideas, supporting our partners with professionalism, flexibility and effectiveness.

VISION

Reaching market leadership as a reliable and precise supplier. Planning the future without losing sight of our history and the values that allow our growth.

WE CREATE SOLUTIONS



In the new headquarters **Movex** designs and manufactures high quality components for the food, beverage, packaging, automotive and automation industries.

Movex meets your needs for standard and custom products in a dynamic and responsive way ensuring the best performance product with an attractive market price.

RESEARCH & DEVELOPMENT



The rich experience that **Movex** has acquired over the years shows that care and innovation of products are essential to guarantee constant quality.

Thanks to the investments as well as developing strategic departments **Movex** has created new space where research and innovation become concrete tools to satisfy customers' requirements.

WE SUPPORT YOU



A top service level is the goal of a qualified Engineering and Sales team with the objective of presenting **Movex** as a supplier of excellence to all clients.

Through a distribution/network which spans the globe, **Movex** offers technical support and a careful after-sales service, always at your disposal.

CONTACT US

Movex S.p.A.

Via Industria, 22 - 24060 Castelli Calepio (BG)

P +39 035 8359711 | F +39 035 4420873 | info@movexii.com

Movex around the world

 **Movex GmbH**
P +49-6204-9375-0

 **Movex AG India**
P +91-120-4159660-62

 **Movex USA Inc.**
P +1-919-274-5477

 **Movex Brasil Ltda**
P +55-15-3141-2550

 **Movex UK Ltd.**
P +44-77-20678442

 **Movex SA de CV**
P +52-1-3318458187

 **Movex France**
P +33-0640592049

 **Movex Nederland**
P +31-630-994850

 **Movex Russia**
P +7 (495) 925-88-56

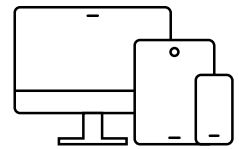
 **Movex Ukraine**
P +380-667507756

Movex[®] ***is online!***

Always connected.

*Consult our catalog
from your favorite
device and request
a free quotation.*

www.movexii.com



RESPONSIVE



Movex[®] ***is App!***



***Stay updated
on our latest news.***

*Discover more about us
and our products.*

***Download it free today
from the App store!***



Movex



UCFL Series



Pag 430



Pag 433

UCF Series



Pag 436



Pag 439

UCFA Series



Pag 442

UCFA Series



Pag 444

UCFL-H / UCF-H Series



Pag 446

CL / CS Series



Pag 448

FL / F / FB / UCT Series



Pag 450

SUCF / SUCFL / SUCFK Series



Pag 453

UCFL

Range Extended

Delivery: **Easy** Standard

Componenti

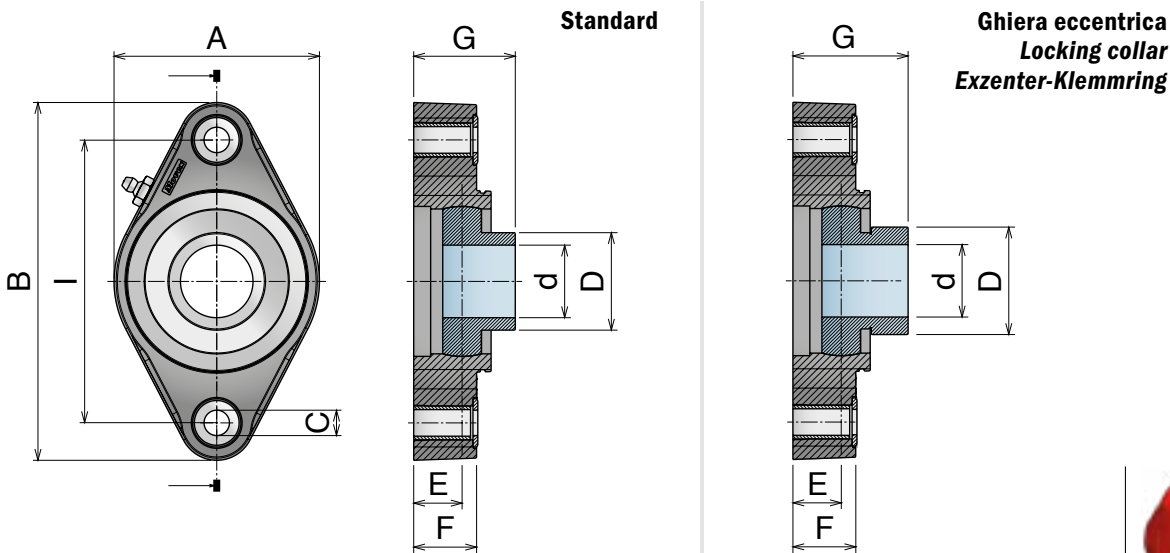
- Sede in poliammide rinforzato, con elevata resistenza meccanica e ottima resistenza contro agenti chimici corrosivi quali acqua, oli, benzina e liquidi contenenti alcool. Tutti i nostri cuscinetti possono essere utilizzati ad una temperatura compresa fra 0°C e +80°C.
- I cuscinetti sono realizzati in acciaio al cromo, disponibili anche, su richiesta, nella versione in acciaio inox. Il cuscinetto all'interno della flangia può essere regolato di 2,5°.
- L'ingrassatore viene realizzato in ferro nichelato, o in acciaio inox nella versione con il cuscinetto in acciaio inox.
- Distanziali realizzati in ottone nichelato per rinforzare il foro di fissaggio.
- Rondella in acciaio inox.

Components

- *Housing in reinforced polyamide, with higher load capacity and good resistance to corrosive chemicals such as water, oils, petrol and alcoholic beverages. All our bearings can be used at temperatures between 0°C and +80°C.*
- *Ball bearings are made in chrome steel. They are also available, upon request, in stainless steel. Max misalignment between shaft and housing: 2.5°.*
- *Grease nipple are made in nickel plated steel, but they can also be made in stainless steel on the stainless steel bearing.*
- *Spacers from nickel plated brass to reinforce fixing holes.*
- *Washer stainless steel.*

Komponenten

- *Gehäuse gefertigt aus verstärktem Polyamid. Dies gewährleistet eine gute Widerstandsfähigkeit gegenüber mechanischen Einflüssen und eine gute Korrosionsbeständigkeit gegenüber Wasser, Ölen, Benzin, Flüssigkeiten mit Alkohol und Chemikalien. Alle unsere Gehäuse-Lagereinheiten können in einem Temperaturbereich von 0°C bis +80°C eingesetzt werden.*
- *Die Lagereinsätze sind aus Chrom-Stahl, auf Anfrage auch in Edelstahl erhältlich. Alle Lager gleichen einen Fluchtungsfehler von bis zu 2,5° selbstständig aus.*
- *Die Schmiernippel sind aus vernickeltem Stahl (aus Edelstahl wenn die Ausführung mit Edelstahl Einsatz gefragt ist).*
- *Alle Distanzstücke sind aus vernickeltem Messing und verstärken die Befestigungsbohrungen.*
- *Alle Unterlegscheiben aus Edelstahl.*



Safety Cap

Inserto standard / Standard insert / Standard-Flanschlager

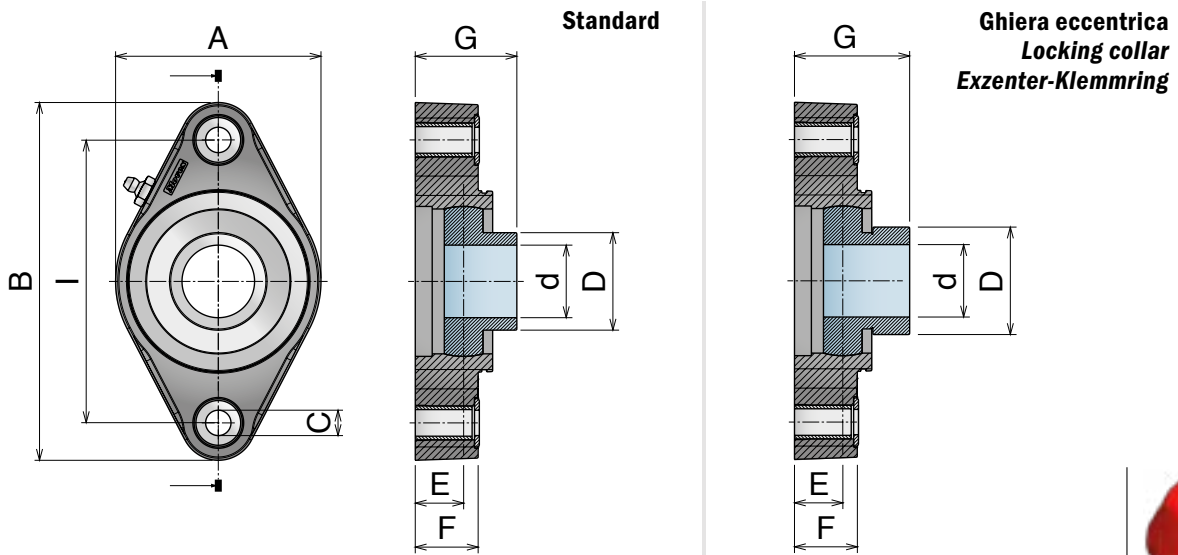
Chrome Steel	Part	Article-Nr.	Series	d	I	A	B	C	D	E	F	G	Article-Nr.
	801	80110	UCFL 204	20	90	62	116	11	29	16	20	34	89004
	801	80100	UCFL 204	20	90	71	130	11	29	17,5	22,5	33,5	89001
	801	80121	UCFL 205/90	25	90	85	116	11	34	14,5	20	34	89005
	801	80101	UCFL 205/90	25	90	71	130	11	34	16,8	22,5	36,3	89001
	801	80111	UCFL 205	25	99	71	130	11	34	16,8	22,5	36,3	89001
	801	80122	UCFL 206/90	30	90	85	116	11	40,3	14,5	20	36,5	89005
	801	80132	UCFL 206/99	30	99	85	130	11	40,3	20	26	42	89002
	801	80102	UCFL 206/99	30	99	85	148	11	40,3	20	26	42	89002
	801	80112	UCFL 206	30	117	85	148	11	40,3	20	26	42	89002
	801	80103	UCFL 207/117	35	117	93	148	11	48	19,5	26	43	89003
	801	80113	UCFL 207	35	130	93	162	11	48	19,5	26	43	89003
	801	80104	UCFL 208/117	40	117	93	148	11	53	19	26	44	89003
801	80114	UCFL 208	40	130	93	162	11	53	19	26	44	89003	

Inserto standard / Standard insert / Standard-Flanschlager

Stainless Steel	Part	Article-Nr.	Series	d	I	A	B	C	D	E	F	G	Article-Nr.
	801	80110SS	UCFL 204	20	90	62	116	11	29	16	20	34	89004
	801	80100SS	UCFL 204	20	90	71	130	11	29	17,5	22,5	33,5	89001
	801	80121SS	UCFL 205/90	25	90	85	116	11	34	14,5	20	34	89005
	801	80101SS	UCFL 205/90	25	90	71	130	11	34	16,8	22,5	36,3	89001
	801	80111SS	UCFL 205	25	99	71	130	11	34	16,8	22,5	36,3	89001
	801	80122SS	UCFL 206/90	30	90	85	116	11	40,3	14,5	20	36,5	89005
	801	80132SS	UCFL 206/99	30	99	85	130	11	40,3	20	26	42	89002
	801	80102SS	UCFL 206/99	30	99	85	148	11	40,3	20	26	42	89002
	801	80112SS	UCFL 206	30	117	85	148	11	40,3	20	26	42	89002
	801	80103SS	UCFL 207/117	35	117	93	148	11	48	19,5	26	43	89003
	801	80113SS	UCFL 207	35	130	93	162	11	48	19,5	26	43	89003
	801	80104SS	UCFL 208/117	40	117	93	148	11	53	19	26	44	89003
801	80114SS	UCFL 208	40	130	93	162	11	53	19	26	44	89003	

Inserto con ghiera eccentrica / Insert with locking collar / Flanschlager mit Exzenter-Klemmring

Chrome Steel	Part	Article-Nr.	Series	d	I	A	B	C	D	E	F	G	Article-Nr.
	802	80210	UCFL 204	20	90	62	116	11	33,3	16	20	39,9	89004
	802	80200	UCFL 204	20	90	71	130	11	33,3	17,5	22,5	41,4	89001
	802	80221	UCFL 205/90	25	90	85	116	11	38,1	14,5	20	37,9	89005
	802	80201	UCFL 205/90	25	90	71	130	11	38,1	16,8	22,5	40,2	89001
	802	80211	UCFL 205	25	99	71	130	11	38,1	16,8	22,5	40,2	89001
	802	80222	UCFL 206/90	30	90	85	116	11	44,5	14,5	20	42,2	89005
	802	80232	UCFL 206/99	30	99	85	130	11	44,5	20	26	47,7	89002
	802	80202	UCFL 206/99	30	99	85	148	11	44,5	20	26	47,7	89002
	802	80212	UCFL 206	30	117	85	148	11	44,5	20	26	47,7	89002
	802	80203	UCFL 207/117	35	117	93	148	11	55,6	19,5	26	49,9	89003
	802	80213	UCFL 207	35	130	93	162	11	55,6	19,5	26	49,9	89003
	802	80204	UCFL 208/117	40	117	93	148	11	60,3	19	26	53,7	89003
802	80214	UCFL 208	40	130	93	162	11	60,3	19	26	53,7	89003	



Safety Cap

Inserto standard / Standard insert / Standard-Flanschlager

Chrome Steel	Part	Article-Nr.	Series	d	l	A	B	C	D	E	F	G	Article-Nr.
	822	82205	UCFL 204/76,5	20	76,4	55,9	100	11	29	15,5	12	33,5	89007
	822	82210	UCFL 204	20	90	62	116	11	29	16	20	34	89004
	822	82201	UCFL 205/90	25	90	71	130	11	34	16,8	22,5	36,3	89001
	822	82211	UCFL 205	25	99	71	130	11	34	16,8	22,5	36,3	89001
	822	82222	UCFL 206/90	30	90	85	116	11	40,3	14,5	20	36,5	89005
	822	82212	UCFL 206	30	117	85	148	11	40,3	20	26	42	89002
	822	82203	UCFL 207/117	35	117	93	148	11	48	19,5	26	43	89003
	822	82213	UCFL 207	35	130	93	162	11	48	19,5	26	43	89003
822	82204	UCFL 208/117	40	117	93	148	11	53	19	26	44	89003	

Inserto standard / Standard insert / Standard-Flanschlager

Stainless Steel	Part	Article-Nr.	Series	d	l	A	B	C	D	E	F	G	Article-Nr.
	822	82205SS	UCFL 204/76,5	20	76,4	55,9	100	11	29	15,5	12	33,5	89007
	822	82210SS	UCFL 204	20	90	62	116	11	29	16	20	34	89004
	822	82201SS	UCFL 205/90	25	90	71	130	11	34	16,8	22,5	36,3	89001
	822	82211SS	UCFL 205	25	99	71	130	11	34	16,8	22,5	36,3	89001
	822	82222SS	UCFL 206/90	30	90	85	116	11	40,3	14,5	20	36,5	89005
	822	82212SS	UCFL 206	30	117	85	148	11	40,3	20	26	42	89002
	822	82203SS	UCFL 207/117	35	117	93	148	11	48	19,5	26	43	89003
	822	82213SS	UCFL 207	35	130	93	162	11	48	19,5	26	43	89003
822	82204SS	UCFL 208/117	40	117	93	148	11	53	19	26	44	89003	

Inserto con ghiera eccentrica / Insert with locking collar / Flanschlager mit Exzenter-Klemmring

Chrome Steel	Part	Article-Nr.	Series	d	l	A	B	C	D	E	F	G	Article-Nr.
	823	82305	UCFL 204/76,5	20	76,4	55,9	100	11	33,3	16	12	33,5	89007
	823	82310	UCFL 204	20	90	62	116	11	33,3	16	20	39,9	89004
	823	82301	UCFL 205/90	25	90	71	130	11	38,1	16,8	22,5	36,3	89001
	823	82311	UCFL 205	25	99	71	130	11	38,1	16,8	22,5	40,2	89001
	823	82322	UCFL 206/90	30	90	85	116	11	44,5	14,4	20	36,5	89005
	823	82312	UCFL 206	30	117	85	148	11	44,5	20	26	47,7	89002
	823	82303	UCFL 207/117	35	117	93	148	11	55,6	19,5	26	43	89003
	823	82313	UCFL 207	35	130	93	162	11	55,6	19,5	26	49,9	89003
823	82304	UCFL 208/117	40	117	93	148	11	60,3	19	26	53,7	89003	



Solid Housing

UCFL

Range Extended



Componenti

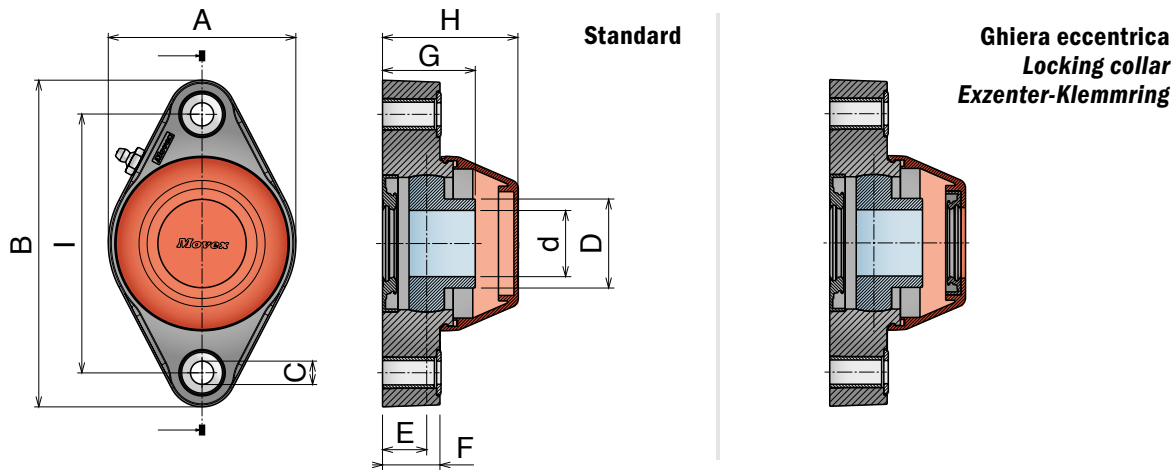
- Sede in poliammide rinforzato, con elevata resistenza meccanica e ottima resistenza contro agenti chimici corrosivi quali acqua, oli, benzina e liquidi contenenti alcool. Tutti i nostri cuscinetti possono essere utilizzati ad una temperatura compresa fra 0°C e +80°C.
- I cuscinetti sono realizzati in acciaio al cromo, disponibili anche, su richiesta, nella versione in acciaio inox. Il cuscinetto all'interno della flangia può essere regolato di 2,5°.
- L'ingrassatore viene realizzato in ferro nichelato, o in acciaio inox nella versione con il cuscinetto in acciaio inox.
- Distanziali realizzati in ottone nichelato per rinforzare il foro di fissaggio.
- Rondella in acciaio inox.
- Coperchio di sicurezza in PP.
- Anello di tenuta in gomma NBR.
- O-ring in NBR rubber.

Components

- *Housing in reinforced polyamide, with higher load capacity and good resistance to corrosive chemicals such as water, oils, petrol and alcoholic beverages. All our bearings can be used at temperatures between 0°C and +80°C.*
- *Ball bearings are made in chrome steel. They are also available, upon request, in stainless steel. Max misalignment between shaft and housing: 2.5°.*
- *Grease nipple are made in nickel plated steel, but they can also be made in stainless steel on the stainless steel bearing.*
- *Spacers from nickel plated brass to reinforce fixing holes.*
- *Washer stainless steel.*
- *Clip-on safety cap in PP.*
- *Rotary shaft seal ring in NBR rubber.*
- *O-ring in NBR rubber.*

Komponenten

- *Gehäuse gefertigt aus verstärktem Polyamid. Dies gewährleistet eine gute Widerstandsfähigkeit gegenüber mechanischen Einflüssen und eine gute Korrosionsbeständigkeit gegenüber Wasser, Ölen, Benzin, Flüssigkeiten mit Alkohol und Chemikalien. Alle unsere Gehäuse-Lagereinheiten können in einem Temperaturbereich von 0°C bis +80°C eingesetzt werden.*
- *Die Lagereinsätze sind aus Chrom-Stahl, auf Anfrage auch in Edelstahl erhältlich. Alle Lager gleichen eine Fluchtungsfehler von bis zu 2,5° selbstständig aus.*
- *Die Schmiernippel sind aus vernickeltem Stahl (aus Edelstahl wenn die Ausführung mit Edelstahl Einsatz gefragt ist).*
- *Alle Distanzstücke sind aus vernickeltem Messing und verstärkten die Befestigungsbohrungen.*
- *Alle Unterlegscheiben aus Edelstahl.*
- *Schutzkappe aus PP.*
- *Dichtringe aus NBR-Gummi.*
- *O-Ringe aus NBR-Gummi.*



Inserto standard, con guarnizioni, versione aperta e chiusa / Standard insert, sealed, open and close version / Standard-Flanschlager, abgedichtet, offene und geschlossene Version

	Part	Art-close	Part	Art-open	Series	d	I	A	B	C	D	E	F	G	H
Chrome Steel	803	80310	804	80410	UCFL 204	20	90	62	116	11	29	16	20	34	51,5
	803	80300	804	80400	UCFL 204	20	90	71	130	11	29	17,5	22,5	33,5	52
	803	80321	804	80421	UCFL 205/90	25	90	85	116	11	34	14,5	20	34	55,5
	803	80301	804	80401	UCFL 205/90	25	90	71	130	11	34	16,8	22,5	36,3	52
	803	80311	804	80411	UCFL 205	25	99	71	130	11	34	16,8	22,5	36,3	52
	803	80322	804	80422	UCFL 206/90	30	90	85	116	11	40,3	14,5	20	36,5	55,5
	803	80332	804	80432	UCFL 206/99	30	99	85	130	11	40,3	20	26	42	61,5
	803	80302	804	80402	UCFL 206/99	30	99	85	148	11	40,3	20	26	42	61,5
	803	80312	804	80412	UCFL 206	30	117	85	148	11	40,3	20	26	42	61,5
	803	80303	804	80403	UCFL 207/117	35	117	93	148	11	48	19,5	26	43	66,5
	803	80313	804	80413	UCFL 207	35	130	93	162	11	48	19,5	26	43	66,5
	803	80304	804	80404	UCFL 208/117	40	117	93	148	11	53	19	26	44	66,5
	803	80314	804	80414	UCFL 208	40	130	93	162	11	53	19	26	44	66,5

Inserto standard, con guarnizioni, versione aperta e chiusa / Standard insert, sealed, open and close version / Standard-Flanschlager, abgedichtet, offene und geschlossene Version

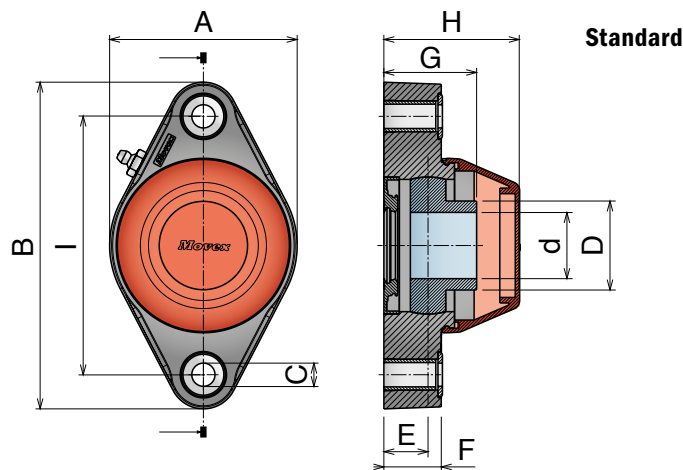
	Part	Art-close	Part	Art-open	Series	d	I	A	B	C	D	E	F	G	H
Stainless Steel	803	80310SS	804	80410SS	UCFL 204	20	90	62	116	11	29	16	20	34	51,5
	803	80300SS	804	80400SS	UCFL 204	20	90	71	130	11	29	17,5	22,5	33,5	52
	803	80321SS	804	80421SS	UCFL 205/90	25	90	85	116	11	34	14,5	20	34	55,5
	803	80301SS	804	80401SS	UCFL 205/90	25	90	71	130	11	34	16,8	22,5	36,3	52
	803	80311SS	804	80411SS	UCFL 205	25	99	71	130	11	34	16,8	22,5	36,3	52
	803	80322SS	804	80422SS	UCFL 206/90	30	90	85	116	11	40,3	14,5	20	36,5	55,5
	803	80332SS	804	80432SS	UCFL 206/99	30	99	85	130	11	40,3	20	26	42	61,5
	803	80302SS	804	80402SS	UCFL 206/99	30	99	85	148	11	40,3	20	26	42	61,5
	803	80312SS	804	80412SS	UCFL 206	30	117	85	148	11	40,3	20	26	42	61,5
	803	80303SS	804	80403SS	UCFL 207/117	35	117	93	148	11	48	19,5	26	43	66,5
	803	80313SS	804	80413SS	UCFL 207	35	130	93	162	11	48	19,5	26	43	66,5
	803	80304SS	804	80404SS	UCFL 208/117	40	117	93	148	11	53	19	26	44	66,5
	803	80314SS	804	80414SS	UCFL 208	40	130	93	162	11	53	19	26	44	66,5

Inserto "long life", con guarnizioni, versione aperta e chiusa / "Long life" insert, sealed, open and close version / "Long Life"-Flanschlager, abgedichtet, offene und geschlossene Version

	Part	Art-close	Part	Art-open	Series	d	I	A	B	C	D	E	F	G	H
Chrome Steel "Long life"	803	80310L	804	80410L	UCFL 204	20	90	62	116	11	29	16	20	34	51,5
	803	80300L	804	80400L	UCFL 204	20	90	71	130	11	29	17,5	22,5	33,5	52
	803	80321L	804	80421L	UCFL 205/90	25	90	85	116	11	34	14,5	20	34	55,5
	803	80301L	804	80401L	UCFL 205/90	25	90	71	130	11	34	16,8	22,5	36,3	52
	803	80311L	804	80411L	UCFL 205	25	99	71	130	11	34	16,8	22,5	36,3	52
	803	80322L	804	80422L	UCFL 206/90	30	90	85	116	11	40,3	14,5	20	36,5	55,5
	803	80332L	804	80432L	UCFL 206/99	30	99	85	130	11	40,3	20	26	42	61,5
	803	80302L	804	80402L	UCFL 206/99	30	99	85	148	11	40,3	20	26	42	61,5
	803	80312L	804	80412L	UCFL 206	30	117	85	148	11	40,3	20	26	42	61,5
	803	80303L	804	80403L	UCFL 207/117	35	117	93	148	11	48	19,5	26	43	66,5
	803	80313L	804	80413L	UCFL 207	35	130	93	162	11	48	19,5	26	43	66,5
	803	80304L	804	80404L	UCFL 208/117	40	117	93	148	11	53	19	26	44	66,5
	803	80314L	804	80414L	UCFL 208	40	130	93	162	11	53	19	26	44	66,5

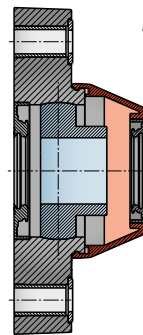
Inserto con ghiera eccentrica, guarnizioni, versione aperta e chiusa / Insert with locking collar, sealed, open and close version / Flanschlager mit Exzenter-Klemmring, abgedichtet, offene und geschlossene Version

	Part	Art-close	Part	Art-open	Series	d	I	A	B	C	D	E	F	G	H
Chrome Steel	805	80510	806	80610	UCFL 204	20	90	62	116	11	33,3	16	20	39,9	51,5
	805	80500	806	80600	UCFL 204	20	90	71	130	11	33,3	17,5	22,5	41,4	52
	805	80521	806	80621	UCFL 205/90	25	90	85	116	11	38,1	14,5	20	37,9	55,5
	805	80501	806	80601	UCFL 205/90	25	90	71	130	11	38,1	16,8	22,5	40,2	52
	805	80511	806	80611	UCFL 205	25	99	71	130	11	38,1	16,8	22,5	40,2	52
	805	80522	806	80622	UCFL 206/90	30	90	85	116	11	44,5	14,5	20	42,2	55,5
	805	80532	806	80632	UCFL 206/99	30	99	85	130	11	44,5	20	26	47,7	61,5
	805	80502	806	80602	UCFL 206/99	30	99	85	148	11	44,5	20	26	47,7	61,5
	805	80512	806	80612	UCFL 206	30	117	85	148	11	44,5	20	26	47,7	61,5
	805	80503	806	80603	UCFL 207/117	35	117	93	148	11	55,6	19,5	26	49,9	66,5
	805	80513	806	80613	UCFL 207	35	130	93	162	11	55,6	19,5	26	49,9	66,5
	805	80504	806	80604	UCFL 208/117	40	117	93	148	11	60,3	19	26	53,7	66,5
	805	80514	806	80614	UCFL 208	40	130	93	162	11	60,3	19	26	53,7	66,5



Standard

Ghiera eccentrica
Locking collar
Exzenter-Klemmring



Solid Housing

Inserto standard, con guarnizioni, versione aperta e chiusa / Standard insert, sealed, open and close version / Standard-Flanschlager, abgedichtet, offene und geschlossene Version

Chrome Steel	Part	Art-close	Part	Art-open	Series	d	l	A	B	C	D	E	F	G	H
	824	82405	825	82505	UCFL 204/76,5	20	76,5	56	100	11	29	15,5	12	26	49
	824	82410	825	82510	UCFL 204	20	90	62	116	11	29	16	20	34	51,5
	824	82401	825	82501	UCFL 205/90	25	90	71	130	11	34	16,8	22,5	36,3	52
	824	82411	825	82511	UCFL 205	25	99	71	130	11	34	16,8	22,5	36,3	52
	824	82422	825	82522	UCFL 206/90	30	90	85	116	11	40,3	14,5	20	36,5	55,5
	824	82412	825	82512	UCFL 206	30	117	85	148	11	40,3	20	26	42	61,5
	824	82403	825	82503	UCFL 207/117	35	117	93	148	11	48	19,5	26	43	66,5
	824	82413	825	82513	UCFL 207	35	130	93	162	11	48	19,5	26	43	66,5
	824	82404	825	82504	UCFL 208/117	40	117	93	148	11	53	19	26	44	66,5

Inserto standard, con guarnizioni, versione aperta e chiusa / Standard insert, sealed, open and close version / Standard-Flanschlager, abgedichtet, offene und geschlossene Version

Stainless Steel	Part	Art-close	Part	Art-open	Series	d	l	A	B	C	D	E	F	G	H
	824	82405SS	825	82505SS	UCFL 204/76,5	20	76,5	56	100	11	29	15,5	12	26	49
	824	82410SS	825	82510SS	UCFL 204	20	90	62	116	11	29	16	20	34	51,5
	824	82401SS	825	82501SS	UCFL 205/90	25	90	71	130	11	34	16,8	22,5	36,3	52
	824	82411SS	825	82511SS	UCFL 205	25	99	71	130	11	34	16,8	22,5	36,3	52
	824	82422SS	825	82522SS	UCFL 206/90	30	90	85	116	11	40,3	14,5	20	36,5	55,5
	824	82412SS	825	82512SS	UCFL 206	30	117	85	148	11	40,3	20	26	42	61,5
	824	82403SS	825	82503SS	UCFL 207/117	35	117	93	148	11	48	19,5	26	43	66,5
	824	82413SS	825	82513SS	UCFL 207	35	130	93	162	11	48	19,5	26	43	66,5
	824	82404SS	825	82504SS	UCFL 208/117	40	117	93	148	11	53	19	26	44	66,5

Inserto "long life", con guarnizioni, versione aperta e chiusa / "Long life" insert, sealed, open and close version / "Long Life"-Flanschlager, abgedichtet, offene und geschlossene Version

"Long life"	Part	Art-close	Part	Art-open	Series	d	l	A	B	C	D	E	F	G	H
	824	82405L	825	82505L	UCFL 204/76,5	20	76,5	56	100	11	29	15,5	12	26	49
	824	82410L	825	82510L	UCFL 204	20	90	62	116	11	29	16	20	34	51,5
	824	82401L	825	82501L	UCFL 205/90	25	90	71	130	11	34	16,8	22,5	36,3	52
	824	82411L	825	82511L	UCFL 205	25	99	71	130	11	34	16,8	22,5	36,3	52
	824	82422L	825	82522L	UCFL 206/90	30	90	85	116	11	40,3	14,5	20	36,5	55,5
	824	82412L	825	82512L	UCFL 206	30	117	85	148	11	40,3	20	26	42	61,5
	824	82403L	825	82503L	UCFL 207/117	35	117	93	148	11	48	19,5	26	43	66,5
	824	82413L	825	82513L	UCFL 207	35	130	93	162	11	48	19,5	26	43	66,5
	824	82404L	825	82504L	UCFL 208/117	40	117	93	148	11	53	19	26	44	66,5

Inserto con ghiera eccentrica, guarnizioni, versione aperta e chiusa / Insert with locking collar, sealed, open and close version / Flanschlager mit Exzenter-Klemmring, abgedichtet, offene und geschlossene Version

Chrome Steel	Part	Art-close	Part	Art-open	Series	d	l	A	B	C	D	E	F	G	H
	826	82605	827	82705	UCFL 204/76,5	20	76,5	56	100	11	33,3	15,5	12	39,4	49
	826	82610	827	82710	UCFL 204	20	90	62	116	11	33,3	16	20	39,9	51,5
	826	82601	827	82701	UCFL 205/90	25	90	71	130	11	38,1	16,8	22,5	40,2	52
	826	82611	827	82711	UCFL 205	25	99	71	130	11	38,1	16,8	22,5	40,2	52
	826	82622	827	82722	UCFL 206/90	30	90	85	116	11	44,5	14,5	20	42,2	55,5
	826	82612	827	82712	UCFL 206	30	117	85	148	11	44,5	20	26	47,7	61,5
	826	82603	827	82703	UCFL 207/117	35	117	93	148	11	55,6	19,5	26	49,9	66,5
	826	82613	827	82713	UCFL 207	35	130	93	162	11	55,6	19,5	26	49,9	66,5
	826	82604	827	82704	UCFL 208/117	40	117	93	148	11	60,3	19	26	53,7	66,5

UCF

Delivery: **Easy** Standard

Componenti

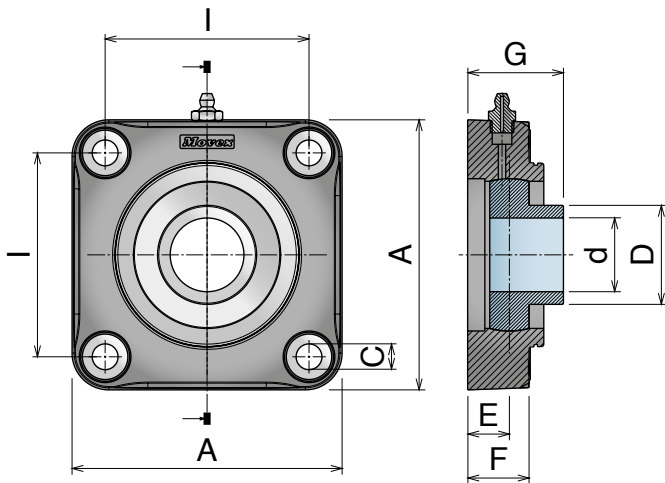
- Sede in poliammide rinforzato, con elevata resistenza meccanica e ottima resistenza contro agenti chimici corrosivi quali acqua, oli, benzina e liquidi contenenti alcool. Tutti i nostri cuscinetti possono essere utilizzati ad una temperatura compresa fra 0°C e +80°C.
- I cuscinetti sono realizzati in acciaio al cromo, disponibili anche, su richiesta, nella versione in acciaio inox. Il cuscinetto all'interno della flangia può essere regolato di 2,5°.
- L'ingrassatore viene realizzato in ferro nichelato, o in acciaio inox nella versione con il cuscinetto in acciaio inox.
- Distanziali realizzati in ottone nichelato per rinforzare il foro di fissaggio.
- Rondella in acciaio inox.

Components

- *Housing in reinforced polyamide, with higher load capacity and good resistance to corrosive chemicals such as water, oils, petrol and alcoholic beverages. All our bearings can be used at temperatures between 0°C and +80°C.*
- *Ball bearings are made in chrome steel. They are also available, upon request, in stainless steel. Max misalignment between shaft and housing: 2.5°.*
- *Grease nipple are made in nickel plated steel, but they can also be made in stainless steel on the stainless steel bearing.*
- *Spacers from nickel plated brass to reinforce fixing holes.*
- *Washer stainless steel.*

Komponenten

- *Gehäuse gefertigt aus verstärktem Polyamid. Dies gewährleistet eine gute Widerstandsfähigkeit gegenüber mechanischen Einflüssen und eine gute Korrosionsbeständigkeit gegenüber Wasser, Ölen, Benzin, Flüssigkeiten mit Alkohol und Chemikalien. Alle unsere Gehäuse-Lagereinheiten können in einem Temperaturbereich von 0°C bis +80°C eingesetzt werden.*
- *Die Lagereinsätze sind aus Chrom-Stahl, auf Anfrage auch in Edelstahl erhältlich. Alle Lager gleichen einen Fluchtungsfehler von bis zu 2,5° selbstständig aus.*
- *Die Schmiernippel sind aus vernickeltem Stahl (aus Edelstahl wenn die Ausführung mit Edelstahl Einsatz gefragt ist).*
- *Alle Distanzstücke sind aus vernickeltem Messing und verstärken die Befestigungsbohrungen.*
- *Alle Unterlegscheiben aus Edelstahl.*



Safety Cap

Inserto standard / Standard insert / Standard-Flanschlager

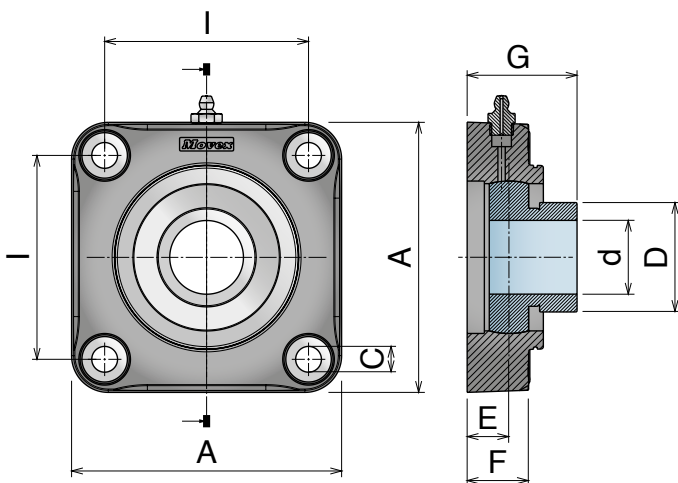
Chrome Steel	Part	Article-Nr.	Series	d	I	A	C	D	E	F	G
	807	80701	UCF 205	25	70	98	11	34	16	22	35,5
	807	80702	UCF 206	30	83	110	11	40,3	17	25	39
	807	80703	UCF 207/83	35	83	110	11	48	20	25	43,5
	807	80713	UCF 207	35	92	118	11	48	20	25	43,5
	807	80704	UCF 208/83	40	83	110	11	53	19,5	25	44,5
	807	80714	UCF 208	40	102	130	11	53	19	25	44

Article-Nr.
89001
89002
89003
89003
89003
89003

Inserto standard / Standard insert / Standard-Flanschlager

Stainless Steel	Part	Article-Nr.	Series	d	I	A	C	D	E	F	G
	807	80701SS	UCF 205	25	70	98	11	34	16	22	35,5
	807	80702SS	UCF 206	30	83	110	11	40,3	17	25	39
	807	80703SS	UCF 207/83	35	83	110	11	48	20	25	43,5
	807	80713SS	UCF 207	35	92	118	11	48	20	25	43,5
	807	80704SS	UCF 208/83	40	83	110	11	53	19,5	25	44,5
	807	80714SS	UCF 208	40	102	130	11	53	19	25	44

Article-Nr.
89001
89002
89003
89003
89003
89003

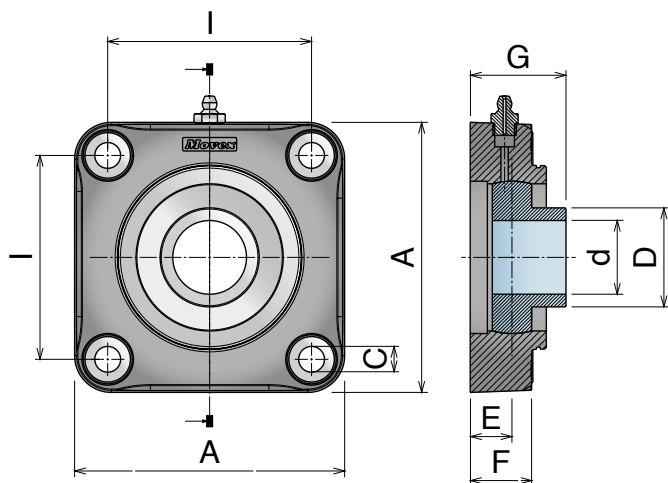


Safety Cap

Inserto con ghiera eccentrica / Insert with locking collar / Flanschlager mit Exzenter-Klemmring

Chrome Steel	Part	Article-Nr.	Series	d	I	A	C	D	E	F	G
	808	80801	UCF 205	25	70	98	11	38,1	16	22	39,4
	808	80802	UCF 206	30	83	110	11	44,5	17	25	44,7
	808	80803	UCF 207/83	35	83	110	11	55,6	20	25	50,4
	808	80813	UCF 207	35	92	118	11	55,6	20	25	50,4
	808	80804	UCF 208/83	40	83	110	11	60,3	19,5	25	54,2
	808	80814	UCF 208	40	102	130	11	60,3	19	25	53,7

Article-Nr.
89001
89002
89003
89003
89003
89003

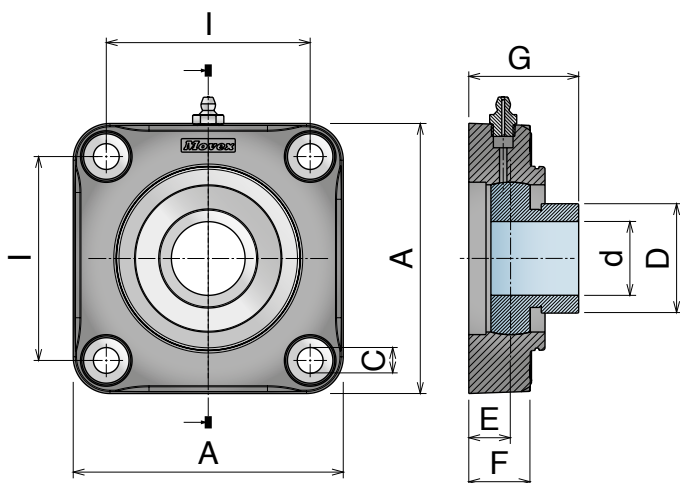


Inserto standard / Standard insert / Standard-Flanschlager

Chrome Steel	Part	Article-Nr.	Series	d	I	A	C	D	E	F	G	Article-Nr.
	828	82801	UCF 205	25	70	98	11	34	16	22	35,5	89001
	828	82802	UCF 206	30	83	110	11	40,3	17	25	39	89002
	828	82813	UCF 207	35	92	118	11	48	20	25	43,5	89003
	828	82804	UCF 208/83	40	83	110	11	53	19,5	25	44,5	89003

Inserto standard / Standard insert / Standard-Flanschlager

Stainless Steel	Part	Article-Nr.	Series	d	I	A	C	D	E	F	G	Article-Nr.
	828	82801SS	UCF 205	25	70	98	11	34	16	22	35,5	89001
	828	82802SS	UCF 206	30	83	110	11	40,3	17	25	39	89002
	828	82813SS	UCF 207	35	92	118	11	48	20	25	43,5	89003
	828	82804SS	UCF 208/83	40	83	110	11	53	19,5	25	44,5	89003



Inserto con ghiera eccentrica / Insert with locking collar / Flanschlager mit Exzenter-Klemmring

Chrome Steel	Part	Article-Nr.	Series	d	I	A	C	D	E	F	G	Article-Nr.
	829	82901	UCF 205	25	70	98	11	38,1	16	22	39,4	89001
	829	82902	UCF 206	30	83	110	11	44,5	17	25	44,7	89002
	829	82913	UCF 207	35	92	118	11	55,6	20	25	50,4	89003
	829	82904	UCF 208/83	40	83	110	11	60,3	19,5	25	54,2	89003

UCF

Delivery: **Easy** Standard

Componenti

• Sede in poliammide rinforzato, con elevata resistenza meccanica e ottima resistenza contro agenti chimici corrosivi quali acqua, oli, benzina e liquidi contenenti alcool. Tutti i nostri cuscinetti possono essere utilizzati ad una temperatura compresa fra 0°C e +80°C.

• I cuscinetti sono realizzati in acciaio al cromo, disponibili anche, su richiesta, nella versione in acciaio inox.

Il cuscinetto all'interno della flangia può essere regolato di 2,5°.

• L'ingrassatore viene realizzato in ferro nichelato, o in acciaio inox nella versione con il cuscinetto in acciaio inox.

• Distanziali realizzati in ottone nichelato per rinforzare il foro di fissaggio.

• Rondella in acciaio inox.

• Coperchio di sicurezza in PP.

• Anello di tenuta in gomma NBR.

• O-ring in NBR rubber.

Components

• *Housing in reinforced polyamide, with higher load capacity and good resistance to corrosive chemicals such as water, oils, petrol and alcoholic beverages.*

All our bearings can be used at temperatures between 0°C and +80°C.

• *Ball bearings are made in chrome steel.*

They are also available, upon request, in stainless steel. Max misalignment between shaft and housing: 2.5°.

• *Grease nipple are made in nickel plated steel, but they can also be made in stainless steel on the stainless steel bearing.*

• *Spacers from nickel plated brass to reinforce fixing holes.*

• *Washer stainless steel.*

• *Clip-on safety cap in PP.*

• *Rotary shaft seal ring in NBR rubber.*

• *O-ring in NBR rubber.*

Komponenten

• *Gehäuse gefertigt aus verstärktem Polyamid. Dies gewährleistet eine gute Widerstandsfähigkeit gegenüber mechanischen Einflüssen und eine gute Korrosionsbeständigkeit gegenüber Wasser, Ölen, Benzin, Flüssigkeiten mit Alkohol und Chemikalien. Alle unsere Gehäuse-Lagereinheiten können in einem Temperaturbereich von 0°C bis +80°C eingesetzt werden.*

• *Die Lagereinsätze sind aus Chrom-Stahl, auf Anfrage auch in Edelstahl erhältlich. Alle Lager gleichen eine Fluchtungsfehler von bis zu 2,5° selbstständig aus.*

• *Die Schmiernippel sind aus vernickeltem Stahl (aus Edelstahl wenn die Ausführung mit Edelstahl Einsatz gefragt ist).*

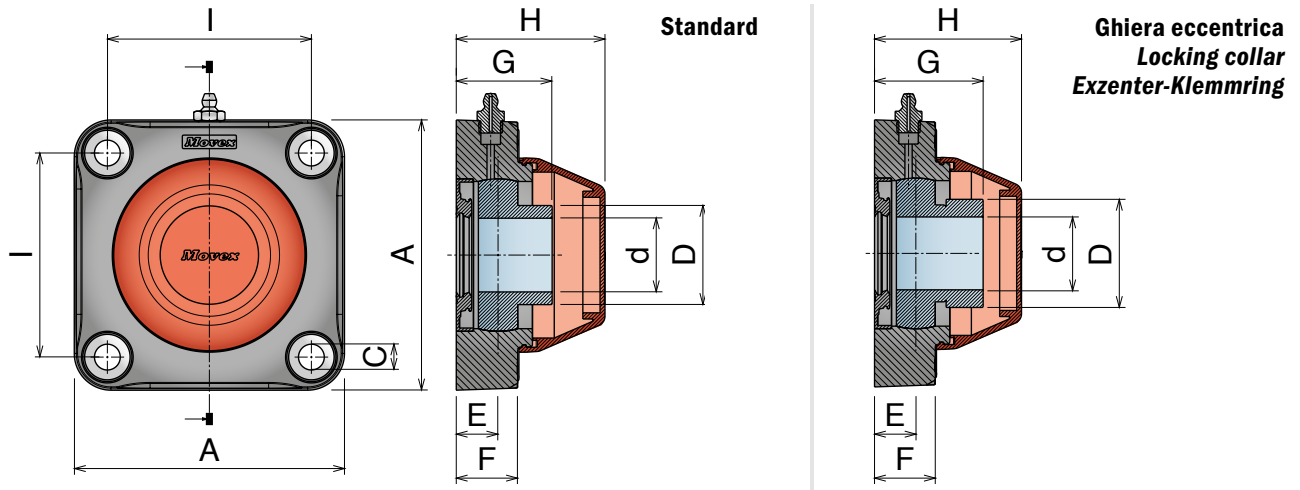
• *Alle Distanzstücke sind aus vernickeltem Messing und verstärkten die Befestigungsbohrungen.*

• *Alle Unterlegscheiben aus Edelstahl.*

• *Schutzkappe aus PP.*

• *Dichtringe aus NBR-Gummi.*

• *O-Ringe aus NBR-Gummi.*



Inserto standard, con guarnizioni, versione aperta e chiusa

Standard insert, sealed, open and close version/Standard-Flanschlager, abgedichtet, offene und geschlossene Version

Chrome Steel	Part	Art-close	Part	Art-open	Series	d	I	A	C	D	E	F	G	H
	809	80901	810	81001	UCF 205	25	70	98	11	34	16	22	35,5	51,5
809	80902	810	81002	UCF 206	30	83	110	11	40,3	17	25	39	60,5	
809	80903	810	81003	UCF 207/83	35	83	110	11	48	20	25	43,5	65,5	
809	80913	810	81013	UCF 207	35	92	118	11	48	20	25	43,5	65,5	
809	80904	810	81004	UCF 208/83	40	83	110	11	53	19,5	25	44,5	65,5	
809	80914	810	81014	UCF 208	40	102	130	11	53	19	25	44	65,5	

Inserto standard, con guarnizioni, versione aperta e chiusa

Standard insert, sealed, open and close version/Standard-Flanschlager, abgedichtet, offene und geschlossene Version

Stainless Steel	Part	Art-close	Part	Art-open	Series	d	I	A	C	D	E	F	G	H
	809	80901SS	810	81001SS	UCF 205	25	70	98	11	34	16	22	35,5	51,5
809	80902SS	810	81002SS	UCF 206	30	83	110	11	40,3	17	25	39	60,5	
809	80903SS	810	81003SS	UCF 207/83	35	83	110	11	48	20	25	43,5	65,5	
809	80913SS	810	81013SS	UCF 207	35	92	118	11	48	20	25	43,5	65,5	
809	80904SS	810	81004SS	UCF 208/83	40	83	110	11	53	19,5	25	44,5	65,5	
809	80914SS	810	81014SS	UCF 208	40	102	130	11	53	19	25	44	65,5	

Inserto "Long life", con guarnizioni, versione aperta e chiusa

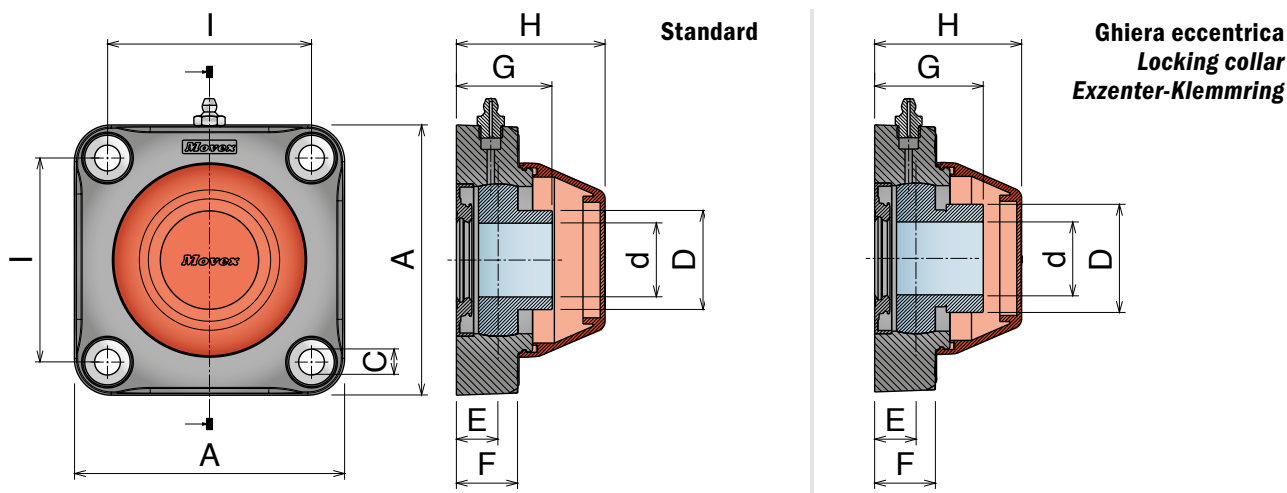
"Long life" insert, sealed, open and close version/"Long life"-Flanschlager, abgedichtet, offene und geschlossene Version

"Long life"	Part	Art-close	Part	Art-open	Series	d	I	A	C	D	E	F	G	H
	809	80901L	810	81001L	UCF 205	25	70	98	11	34	16	22	35,5	51,5
809	80902L	810	81002L	UCF 206	30	83	110	11	40,3	17	25	39	60,5	
809	80903L	810	81003L	UCF 207/83	35	83	110	11	48	20	25	43,5	65,5	
809	80913L	810	81013L	UCF 207	35	92	118	11	48	20	25	43,5	65,5	
809	80904L	810	81004L	UCF 208/83	40	83	110	11	53	19,5	25	44,5	65,5	
809	80914L	810	81014L	UCF 208	40	102	130	11	53	19	25	44	65,5	

Inserto con ghiera eccentrica, guarnizioni, versione aperta e chiusa

Insert with locking collar, sealed, open and close version/Flanschlager mit Exzenter-Klemmring, abgedichtet, offene und geschlossene Version

Chrome Steel	Part	Art-close	Part	Art-open	Series	d	I	A	C	D	E	F	G	H
	811	81101	812	81201	UCF 205	25	70	98	11	38,1	16	22	39,4	51,5
811	81102	812	81202	UCF 206	30	83	110	11	44,5	17	25	44,7	60,5	
811	81103	812	81203	UCF 207/83	35	83	110	11	55,6	20	25	50,4	65,5	
811	81113	812	81213	UCF 207	35	92	118	11	55,6	20	25	50,4	65,5	
811	81104	812	81204	UCF 208/83	40	83	110	11	60,3	19,5	25	54,2	65,5	
811	81114	812	81214	UCF 208	40	102	130	11	60,3	19	25	53,7	65,5	



Inserto standard, con guarnizioni, versione aperta e chiusa

Standard insert, sealed, open and close version/Standard-Flanschlager, abgedichtet, offene und geschlossene Version

Chrome Steel	Part	Art-close	Part	Art-open	Series	d	I	A	C	D	E	F	G	H
	830	83001	831	83101	UCF 205	25	70	98	11	34	16	22	35,5	51,5
	830	83002	831	83102	UCF 206	30	83	110	11	40,3	17	25	39	60,5
	830	83013	831	83113	UCF 207	35	92	118	11	48	20	25	43,5	65,5
	830	83004	831	83104	UCF 208/83	40	83	110	11	53	19,5	25	44,5	65,5

Inserto standard, con guarnizioni, versione aperta e chiusa

Standard insert, sealed, open and close version/Standard-Flanschlager, abgedichtet, offene und geschlossene Version

Stainless Steel	Part	Art-close	Part	Art-open	Series	d	I	A	C	D	E	F	G	H
	830	83001SS	831	83101SS	UCF 205	25	70	98	11	34	16	22	35,5	51,5
	830	83002SS	831	83102SS	UCF 206	30	83	110	11	40,3	17	25	39	60,5
	830	83013SS	831	83113SS	UCF 207	35	92	118	11	48	20	25	43,5	65,5
	830	83004SS	831	83104SS	UCF 208/83	40	83	110	11	53	19,5	25	44,5	65,5

Inserto "Long life", con guarnizioni, versione aperta e chiusa

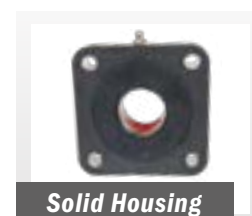
"Long life" insert, sealed, open and close version/"Long life"-Flanschlager, abgedichtet, offene und geschlossene Version

"Long life"	Part	Art-close	Part	Art-open	Series	d	I	A	C	D	E	F	G	H
	830	83001L	831	83101L	UCF 205	25	70	98	11	34	16	22	35,5	51,5
	830	83002L	831	83102L	UCF 206	30	83	110	11	40,3	17	25	39	60,5
	830	83013L	831	83113L	UCF 207	35	92	118	11	48	20	25	43,5	65,5
	830	83004L	831	83104L	UCF 208/83	40	83	110	11	53	19,5	25	44,5	65,5

Inserto con ghiera eccentrica, guarnizioni, versione aperta e chiusa

Insert with locking collar, sealed, open and close version/Flanschlager mit Exzenter-Klemmring, abgedichtet, offene und geschlossene Version

Chrome Steel	Part	Art-close	Part	Art-open	Series	d	I	A	C	D	E	F	G	H
	832	83201	833	83301	UCF 205	25	70	98	11	38,1	16	22	39,4	51,5
	832	83202	833	83302	UCF 206	30	83	110	11	44,5	17	25	44,7	60,5
	832	83213	833	83313	UCF 207	35	92	118	11	55,6	20	25	50,4	65,5
	832	83204	833	83304	UCF 208/83	40	83	110	11	60,3	19,5	25	54,2	65,5



Solid Housing

UCFA

Solid Housing

Delivery: **Easy** Standard

Componenti

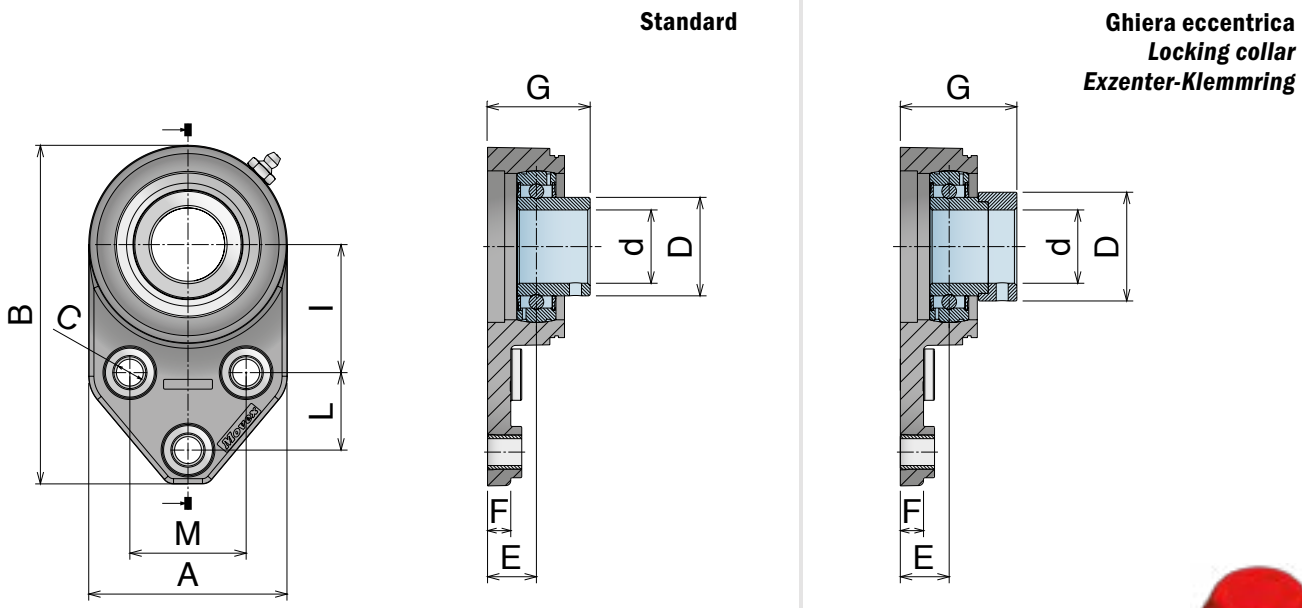
- Sede in poliammide rinforzato, con elevata resistenza meccanica e ottima resistenza contro agenti chimici corrosivi quali acqua, oli, benzina e liquidi contenenti alcool. Tutti i nostri cuscinetti possono essere utilizzati ad una temperatura compresa fra 0°C e +80°C.
- I cuscinetti sono realizzati in acciaio al cromo, disponibili anche, su richiesta, nella versione in acciaio inox. Il cuscinetto all'interno della flangia può essere regolato di 2,5°.
- L'ingrassatore viene realizzato in ferro nichelato, o in acciaio inox nella versione con il cuscinetto in acciaio inox.
- Distanziali realizzati in ottone nichelato per rinforzare il foro di fissaggio.
- Rondella in acciaio inox.

Components

- *Housing in reinforced polyamide, with higher load capacity and good resistance to corrosive chemicals such as water, oils, petrol and alcoholic beverages. All our bearings can be used at temperatures between 0°C and +80°C.*
- *Ball bearings are made in chrome steel. They are also available, upon request, in stainless steel. Max misalignment between shaft and housing: 2.5°.*
- *Grease nipple are made in nickel plated steel, but they can also be made in stainless steel on the stainless steel bearing.*
- *Spacers from nickel plated brass to reinforce fixing holes.*
- *Washer stainless steel.*

Komponenten

- *Gehäuse gefertigt aus verstärktem Polyamid. Dies gewährleistet eine gute Widerstandsfähigkeit gegenüber mechanischen Einflüssen und eine gute Korrosionsbeständigkeit gegenüber Wasser, Ölen, Benzin, Flüssigkeiten mit Alkohol und Chemikalien. Alle unsere Gehäuse-Lagereinheiten können in einem Temperaturbereich von 0°C bis +80°C eingesetzt werden.*
- *Die Lagereinsätze sind aus Chrom-Stahl, auf Anfrage auch in Edelstahl erhältlich. Alle Lager gleichen einen Fluchtungsfehler von bis zu 2,5° selbstständig aus.*
- *Die Schmiernippel sind aus vernickeltem Stahl (aus Edelstahl wenn die Ausführung mit Edelstahl Einsatz gefragt ist).*
- *Alle Distanzstücke sind aus vernickeltem Messing und verstärken die Befestigungsbohrungen.*
- *Alle Unterlegscheiben aus Edelstahl.*



Safety Cap

Inserto standard / Standard insert / Standard-Flanschlager

Chrome Steel	Part	Article-Nr.	Series	d	I	A	C	D	L	M	B	E	F	G	Article-Nr.
	834	83400	UCFA 204	20	46	68,8	11	29	28,6	41,3	124,2	16,4	14	34,4	89001
834	83401	UCFA 205	25	46	68,8	11	34	28,6	41,3	124,2	17,8	14	37,3	89001	
834	83402	UCFA 206	30	52,4	81,3	11	40,3	31,7	47,6	138,6	20	9,5	42	89002	

Inserto standard / Standard insert / Standard-Flanschlager

Stainless Steel	Part	Article-Nr.	Series	d	I	A	C	D	L	M	B	E	F	G	Article-Nr.
	834	83400SS	UCFA 204	20	46	68,8	11	29	28,6	41,3	124,2	16,4	14	34,4	89001
834	83401SS	UCFA 205	25	46	68,8	11	34	28,6	41,3	124,2	17,8	14	37,3	89001	
834	83402SS	UCFA 206	30	52,4	81,3	11	40,3	31,7	47,6	138,6	20	14	42	89002	

Inserto con ghiera eccentrica / Insert with locking collar / Flanschlager mit Exzenter-Klemmring

Chrome Steel	Part	Article-Nr.	Series	d	I	A	C	D	L	M	B	E	F	G	Article-Nr.
	835	83500	UCFA 204	20	46	68,8	11	33,3	28,6	41,3	124,2	16,4	14	40,3	89001
835	83501	UCFA 205	25	46	68,8	11	38,1	28,6	41,3	124,2	17,8	14	41,2	89001	
835	83502	UCFA 206	30	52,4	81,3	11	44,5	31,7	47,6	138,6	20	14	47,7	89002	

UCFA

Solid Housing

**Componenti**

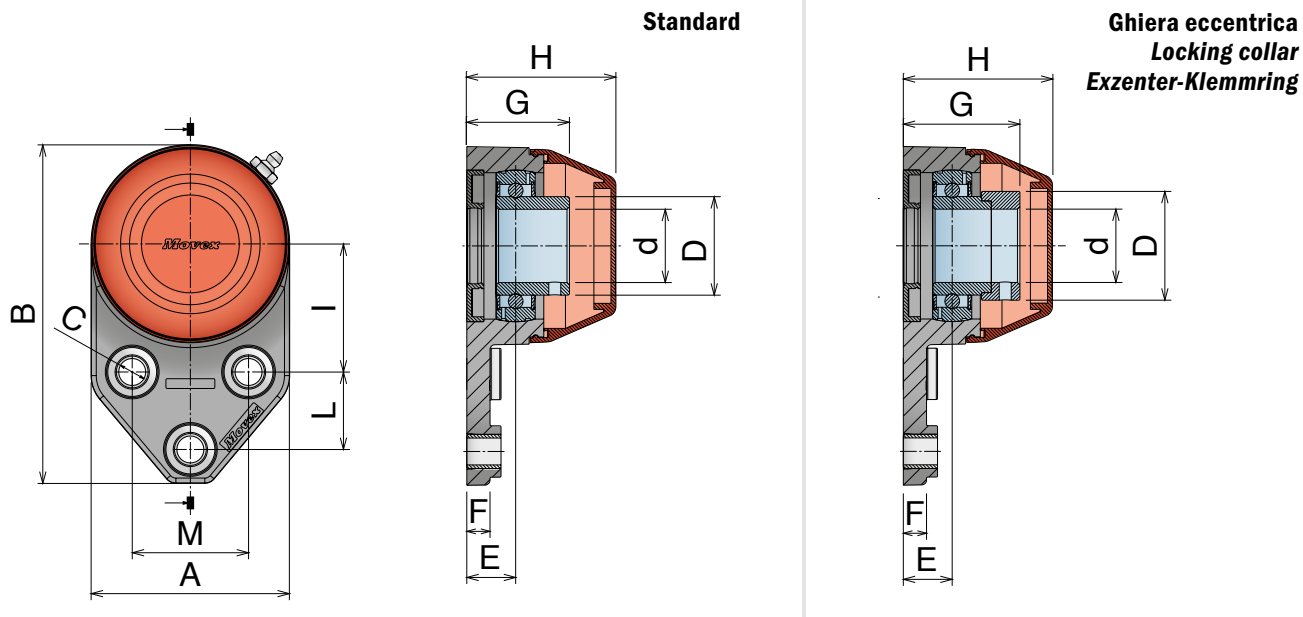
- Sede in poliammide rinforzato, con elevata resistenza meccanica e ottima resistenza contro agenti chimici corrosivi quali acqua, oli, benzina e liquidi contenenti alcool. Tutti i nostri cuscinetti possono essere utilizzati ad una temperatura compresa fra 0°C e +80°C.
- I cuscinetti sono realizzati in acciaio al cromo, disponibili anche, su richiesta, nella versione in acciaio inox. Il cuscinetto all'interno della flangia può essere regolato di 2,5°.
- L'ingrassatore viene realizzato in ferro nichelato, o in acciaio inox nella versione con il cuscinetto in acciaio inox.
- Distanziali realizzati in ottone nichelato per rinforzare il foro di fissaggio.
- Rondella in acciaio inox.
- Coperchio di sicurezza in PP.
- Anello di tenuta in gomma NBR.
- O-ring in NBR rubber.

Components

- *Housing in reinforced polyamide, with higher load capacity and good resistance to corrosive chemicals such as water, oils, petrol and alcoholic beverages. All our bearings can be used at temperatures between 0°C and +80°C.*
- *Ball bearings are made in chrome steel. They are also available, upon request, in stainless steel. Max misalignment between shaft and housing: 2.5°.*
- *Grease nipple are made in nickel plated steel, but they can also be made in stainless steel on the stainless steel bearing.*
- *Spacers from nickel plated brass to reinforce fixing holes.*
- *Washer stainless steel.*
- *Clip-on safety cap in PP.*
- *Rotary shaft seal ring in NBR rubber.*
- *O-ring in NBR rubber.*

Komponenten

- *Gehäuse gefertigt aus verstärktem Polyamid. Dies gewährleistet eine gute Widerstandsfähigkeit gegenüber mechanischen Einflüssen und eine gute Korrosionsbeständigkeit gegenüber Wasser, Ölen, Benzin, Flüssigkeiten mit Alkohol und Chemikalien. Alle unsere Gehäuse-Lagereinheiten können in einem Temperaturbereich von 0°C bis +80°C eingesetzt werden.*
- *Die Lagereinsätze sind aus Chrom-Stahl, auf Anfrage auch in Edelstahl erhältlich. Alle Lager gleichen eine Fluchtungsfehler von bis zu 2,5° selbstständig aus.*
- *Die Schmiernippel sind aus vernickeltem Stahl (aus Edelstahl wenn die Ausführung mit Edelstahl Einsatz gefragt ist).*
- *Alle Distanzstücke sind aus vernickeltem Messing und verstärkten die Befestigungsbohrungen.*
- *Alle Unterlegscheiben aus Edelstahl.*
- *Schutzkappe aus PP*
- *Dichtringe aus NBR-Gummi*
- *O-Ringe aus NBR-Gummi*



Inserto standard, con guarnizioni, versione aperta e chiusa

Standard insert, sealed, open and close version/Standard-Flanschlager, abgedichtet, offene und geschlossene Version

Chrome Steel	Part	Art-close	Part	Art-open	Series	d	l	A	C	D	L	M	B	E	F	G	H
	836	83600	837	83700	UCF 204	20	46	68,8	11	29	28,6	41,3	124,2	16,4	14	34,4	51,8
836	83601	837	83701	UCF 205	25	46	68,8	11	34	28,6	41,3	124,2	17,8	14	37,3	51,8	
836	83602	837	83702	UCF 206	30	52,4	81,3	11	40,3	31,7	47,6	138,6	20	14	42	61	

Inserto standard, con guarnizioni, versione aperta e chiusa

Standard insert, sealed, open and close version/Standard-Flanschlager, abgedichtet, offene und geschlossene Version

Stainless Steel	Part	Art-close	Part	Art-open	Series	d	l	A	C	D	L	M	B	E	F	G	H
	836	83600SS	837	83700SS	UCF 204	20	46	68,8	11	29	28,6	41,3	124,2	16,4	14	34,4	51,8
836	83601SS	837	83701SS	UCF 205	25	46	68,8	11	34	28,6	41,3	124,2	17,8	14	37,3	51,8	
836	83602SS	837	83702SS	UCF 206	30	52,4	81,3	11	40,3	31,7	47,6	138,6	20	14	42	61	

Inserto "Long life", con guarnizioni, versione aperta e chiusa

"Long life" insert, sealed, open and close version/"Long life"-Flanschlager, abgedichtet, offene und geschlossene Version

"Long life"	Part	Art-close	Part	Art-open	Series	d	l	A	C	D	L	M	B	E	F	G	H
	836	83600L	837	83700L	UCF 204	20	46	68,8	11	29	28,6	41,3	124,2	16,4	14	34,4	51,8
836	83601L	837	83701L	UCF 205	25	46	68,8	11	34	28,6	41,3	124,2	17,8	14	37,3	51,8	
836	83602L	837	83702L	UCF 206	30	52,4	81,3	11	40,3	31,7	47,6	138,6	20	14	42	61	

Inserto con ghiera eccentrica, guarnizioni, versione aperta e chiusa

Insert with locking collar, sealed, open and close version/Flanschlager mit Exzenter-Klemmring, abgedichtet, offene und geschlossene Version

Chrome Steel	Part	Art-close	Part	Art-open	Series	d	l	A	C	D	L	M	B	E	F	G	H
	838	83800	839	83900	UCF 204	20	46	68,8	11	33,3	28,6	41,3	124,2	16,4	14	40,3	51,8
838	83801	839	83901	UCF 205	25	46	68,8	11	38,1	28,6	41,3	124,2	17,8	14	41,2	51,8	
838	83802	839	83902	UCF 206	30	52,4	81,3	11	44,5	31,7	47,6	138,6	20	14	47,7	61	

UCFL-H/UCF-H

Cover in Stainless steel



Componenti

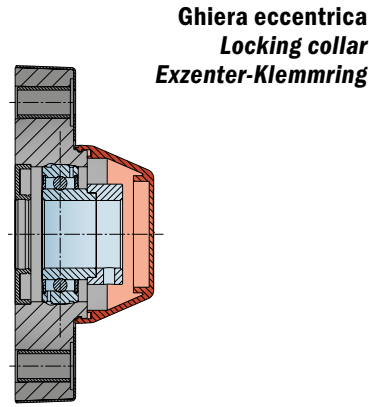
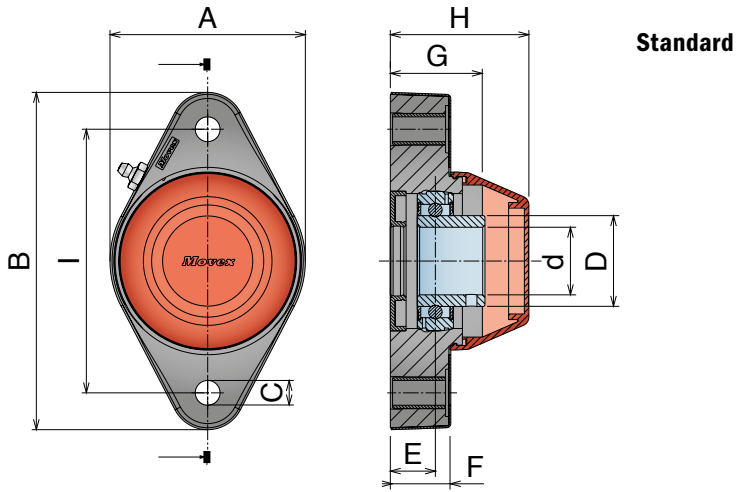
- Sede in poliammide rinforzato, con elevata resistenza meccanica e ottima resistenza contro agenti chimici corrosivi quali acqua, oli, benzina e liquidi contenenti alcool. Tutti i nostri cuscinetti possono essere utilizzati ad una temperatura compresa fra 0°C e +80°C.
- I cuscinetti sono realizzati in acciaio al cromo, disponibili anche, su richiesta, nella versione in acciaio inox. Il cuscinetto all'interno della flangia può essere regolato di 2,5°.
- L'ingrassatore viene realizzato in ferro nichelato, o in acciaio inox nella versione con il cuscinetto in acciaio inox.
- Distanziali realizzati in ottone nichelato per rinforzare il foro di fissaggio.
- Rondella in acciaio inox.
- Coperchio di sicurezza in PP.
- **"Cover"** in acciaio inox.

Components

- *Housing in reinforced polyamide, with higher load capacity and good resistance to corrosive chemicals such as water, oils, petrol and alcoholic beverages. All our bearings can be used at temperatures between 0°C and +80°C.*
- *Ball bearings are made in chrome steel. They are also available, upon request, in stainless steel. Max misalignment between shaft and housing: 2.5°.*
- *Grease nipple are made in nickel plated steel, but they can also be made in stainless steel on the stainless steel bearing.*
- *Spacers from nickel plated brass to reinforce fixing holes.*
- *Washer stainless steel.*
- **"Cover"** in stainless steel

Komponenten

- *Gehäuse gefertigt aus verstärktem Polyamid. Dies gewährleistet eine gute Widerstandsfähigkeit gegenüber mechanischen Einflüssen und eine gute Korrosionsbeständigkeit gegenüber Wasser, Ölen, Benzin, Flüssigkeiten mit Alkohol und Chemikalien. Alle unsere Gehäuse-Lagereinheiten können in einem Temperaturbereich von 0°C bis +80°C eingesetzt werden.*
- *Die Lagereinsätze sind aus Chrom-Stahl, auf Anfrage auch in Edelstahl erhältlich. Alle Lager gleichen eine Fluchtungsfehler von bis zu 2,5° selbstständig aus.*
- *Die Schmiernippel sind aus vernickeltem Stahl (aus Edelstahl wenn die Ausführung mit Edelstahl Einsatz gefragt ist).*
- *Alle Distanzstücke sind aus vernickeltem Messing und verstärkten die Befestigungsbohrungen.*
- *Alle Unterlegscheiben aus Edelstahl.*
- *Gehäuseabdeckung aus Edelstahl.*



Solid Housing

Inserto standard, con guarnizioni, versione aperta e chiusa / Standard insert, sealed, open and close version / Standard-Flanschlager, abgedichtet, offene und geschlossene Version

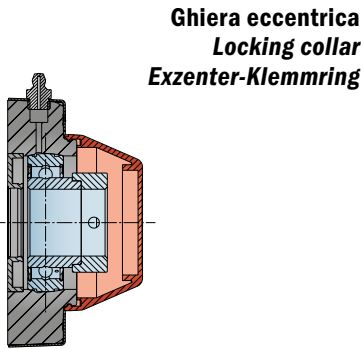
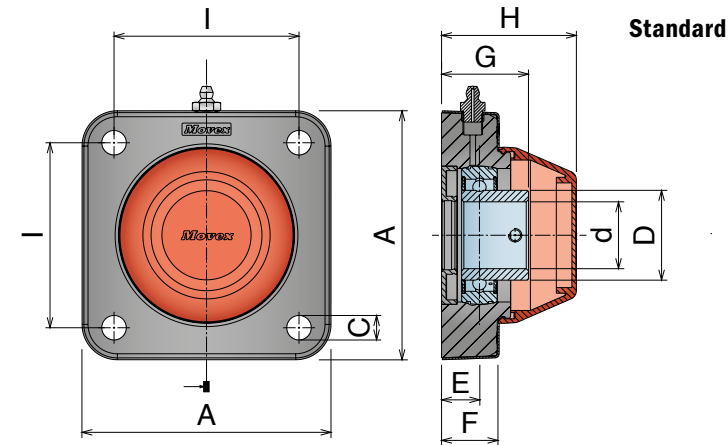
Chrome Steel	Part	Art-close	Part	Art-open	Series	d	I	A	B	C	D	E	F	G	H
	824	82412H	825	82512H	UCFL-H 206	30	117	86,7	149,7	11	40,3	20	26,85	42	61,5
824	82403H	825	82503H	UCFL-H 207/117	35	117	94,7	149,7	11	48	19,5	26	43	66,5	
824	82404H	825	82504H	UCFL-H 208/117	40	117	94,7	149,7	11	53	19	26,85	44	67	

Inserto "long life", con guarnizioni, versione aperta e chiusa / "Long life" insert, sealed, open and close version / "Long Life"-Flanschlager, abgedichtet, offene und geschlossene Version

"Long life"	Part	Art-close	Part	Art-open	Series	d	I	A	B	C	D	E	F	G	H
	824	82412LH	825	82512LH	UCFL-H 206	30	117	86,7	149,7	11	40,3	20	26,85	42	61,5
824	82403LH	825	82503LH	UCFL-H 207/117	35	117	94,7	149,7	11	48	19,5	26	43	66,5	
824	82404LH	825	82504LH	UCFL-H 208/117	40	117	94,7	149,7	11	53	19	26,85	44	67	

Inserto con ghiera eccentrica, guarnizioni, versione aperta e chiusa / Insert with locking collar, sealed, open and close version / Flanschlager mit Exzenter-Klemmring, abgedichtet, offene und geschlossene Version

Chrome Steel	Part	Art-close	Part	Art-open	Series	d	I	A	B	C	D	E	F	G	H
	826	82612H	827	82712H	UCFL-H 206	30	117	86,7	149,7	11	44,5	20	26,85	47,7	61,5
826	82603H	827	82703H	UCFL-H 207/117	35	117	94,7	149,7	11	55,6	19,5	26	49,9	66,5	
826	82604H	827	82704H	UCFL-H 208/117	40	117	94,7	149,7	11	60,3	19	26,85	54	67	



Solid Housing

Inserto standard, con guarnizioni, versione aperta e chiusa / Standard insert, sealed, open and close version / Standard-Flanschlager, abgedichtet, offene und geschlossene Version

Chrome Steel	Part	Art-close	Part	Art-open	Series	d	I	A	C	D	E	F	G	H
	830	83002H	831	83102H	UCF-H 206	30	83	111,7	11	40,3	17	25	39	60,5
830	83004H	831	83104H	UCF-H 208/83	40	83	111,7	11	53	19,5	25	44,5	65,5	

Inserto "long life", con guarnizioni, versione aperta e chiusa / "Long life" insert, sealed, open and close version / "Long Life"-Flanschlager, abgedichtet, offene und geschlossene Version

"Long life"	Part	Art-close	Part	Art-open	Series	d	I	A	C	D	E	F	G	H
	830	83002LH	831	83102LH	UCF-H 206	30	83	111,7	11	40,3	17	25	39	60,5
830	83004LH	831	83104LH	UCF-H 208/83	40	83	111,7	11	53	19,5	25	44,5	65,5	

Inserto con ghiera eccentrica, guarnizioni, versione aperta e chiusa / Insert with locking collar, sealed, open and close version / Flanschlager mit Exzenter-Klemmring, abgedichtet, offene und geschlossene Version

Chrome Steel	Part	Art-close	Part	Art-open	Series	d	I	A	C	D	E	F	G	H
	832	83202H	833	83302H	UCF-H 206	30	83	111,7	11	44,5	17	25	47,7	60,5
832	83204H	833	83304H	UCF-H 208/83	40	83	111,7	11	60,3	19,5	25	54,2	65,5	

CL/CS

External housing in Stainless steel

Delivery: **Easy** Standard

Componenti

• Sede in poliammide rinforzato, con elevata resistenza meccanica e ottima resistenza contro agenti chimici corrosivi quali acqua, oli, benzina e liquidi contenenti alcool. Tutti i nostri cuscinetti possono essere utilizzati ad una temperatura compresa fra 0°C e +80°C.

• I cuscinetti sono realizzati in acciaio al cromo, disponibili anche, su richiesta, nella versione in acciaio inox.

Il cuscinetto all'interno della flangia può essere regolato di 2,5°.

• L'ingrassatore viene realizzato in ferro nichelato, o in acciaio inox nella versione con il cuscinetto in acciaio inox.

• Distanziali realizzati in ottone nichelato per rinforzare il foro di fissaggio.

• Rondella in acciaio inox.

• Coperchio di sicurezza in PP.

• **"Cover"** in acciaio inox.

Components

• *Housing in reinforced polyamide, with higher load capacity and good resistance to corrosive chemicals such as water, oils, petrol and alcoholic beverages.*

All our bearings can be used at temperatures between 0°C and +80°C.

• *Ball bearings are made in chrome steel. They are also available, upon request, in stainless steel. Max misalignment between shaft and housing: 2.5°.*

• *Grease nipple are made in nickel plated steel, but they can also be made in stainless steel on the stainless steel bearing.*

• *Spacers from nickel plated brass to reinforce fixing holes.*

• *Washer stainless steel.*

• **"Cover"** in stainless steel

Komponenten

• *Gehäuse gefertigt aus verstärktem Polyamid. Dies gewährleistet eine gute Widerstandsfähigkeit gegenüber mechanischen Einflüssen und eine gute Korrosionsbeständigkeit gegenüber Wasser, Ölen, Benzin, Flüssigkeiten mit Alkohol und Chemikalien. Alle unsere Gehäuse-Lagereinheiten können in einem Temperaturbereich von 0°C bis +80°C eingesetzt werden.*

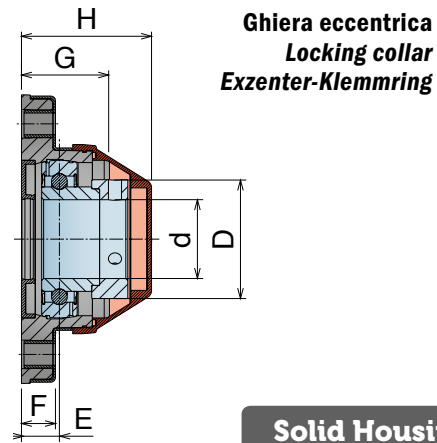
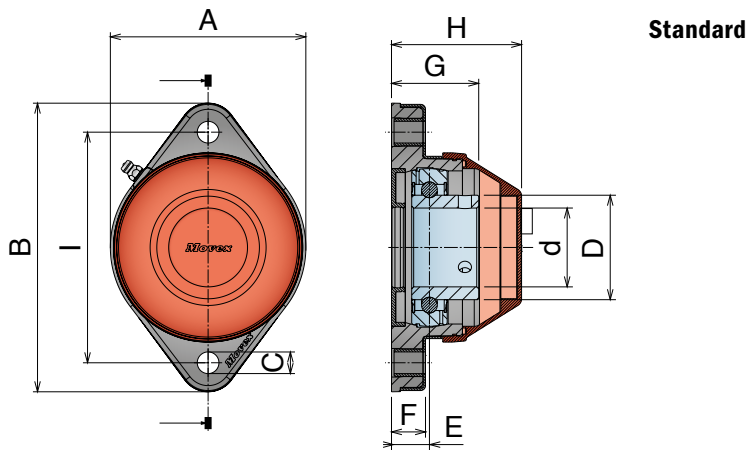
• *Die Lagereinsätze sind aus Chrom-Stahl, auf Anfrage auch in Edelstahl erhältlich. Alle Lager gleichen eine Fluchtungsfehler von bis zu 2,5° selbstständig aus.*

• *Die Schmiernippel sind aus vernickeltem Stahl (aus Edelstahl wenn die Ausführung mit Edelstahl Einsatz gefragt ist).*

• *Alle Distanzstücke sind aus vernickeltem Messing und verstärkten die Befestigungsbohrungen.*

• *Alle Unterlegscheiben aus Edelstahl.*

• **"Cover"** aus Edelstahl.



Solid Housing

Inserto standard, con guarnizioni, versione aperta e chiusa / Standard insert, sealed, open and close version / Standard-Flanschlager, abgedichtet, offene und geschlossene Version

Chrome Steel	Part	Art-close	Part	Art-open	Series	d	I	A	B	C	D	E	F	G	H
	845	84504	846	84604	CL 208	40	117	99	146,5	11	53	18,5	16,5	43	66

Inserto standard, con guarnizioni, versione aperta e chiusa / Standard insert, sealed, open and close version / Standard-Flanschlager, abgedichtet, offene und geschlossene Version

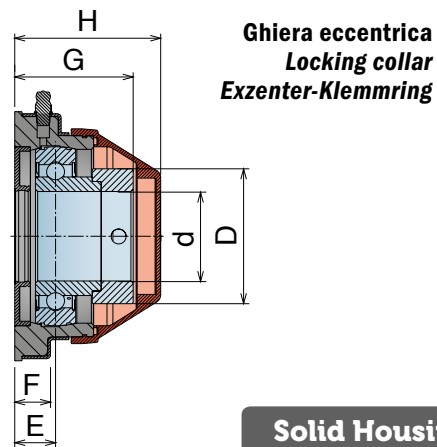
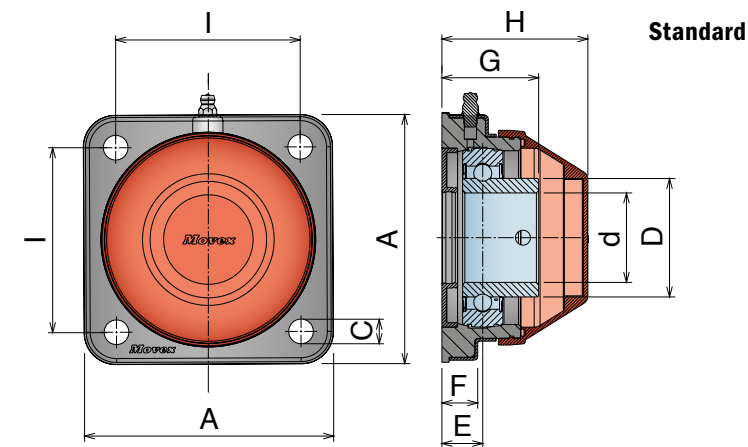
Stainless Steel	Part	Art-close	Part	Art-open	Series	d	I	A	B	C	D	E	F	G	H
	845	84504SS	846	84604SS	CL 208	40	117	99	146,5	11	53	18,5	16,5	43	66

Inserto "long life", con guarnizioni, versione aperta e chiusa / "Long life" insert, sealed, open and close version / "Long Life"-Flanschlager, abgedichtet, offene und geschlossene Version

"Long life"	Part	Art-close	Part	Art-open	Series	d	I	A	B	C	D	E	F	G	H
	845	84504L	846	84604L	CL 208	40	117	99	146,5	11	53	18,5	16,5	43	66

Inserto con ghiera eccentrica, guarnizioni, versione aperta e chiusa / Insert with locking collar, sealed, open and close version / Flanschlager mit Exzenter-Klemmring, abgedichtet, offene und geschlossene Version

Chrome Steel	Part	Art-close	Part	Art-open	Series	d	I	A	B	C	D	E	F	G	H
	847	84704	848	84804	CL 208	40	117	99	146,5	11	60,3	18,5	16,5	43	66



Solid Housing

Inserto standard, con guarnizioni, versione aperta e chiusa / Standard insert, sealed, open and close version / Standard-Flanschlager, abgedichtet, offene und geschlossene Version

Chrome Steel	Part	Art-close	Part	Art-open	Series	d	I	A	C	D	E	F	G	H
	849	84904	850	85004	CS 208	40	82,5	111	11	53	18,5	16,5	43	66

Inserto standard, con guarnizioni, versione aperta e chiusa / Standard insert, sealed, open and close version / Standard-Flanschlager, abgedichtet, offene und geschlossene Version

Stainless Steel	Part	Art-close	Part	Art-open	Series	d	I	A	C	D	E	F	G	H
	849	84904SS	850	85004SS	CS 208	40	82,5	111	11	53	18,5	16,5	43	66

Inserto "long life", con guarnizioni, versione aperta e chiusa / "Long life" insert, sealed, open and close version / "Long Life"-Flanschlager, abgedichtet, offene und geschlossene Version

"Long life"	Part	Art-close	Part	Art-open	Series	d	I	A	C	D	E	F	G	H
	849	84904L	850	85004L	CS 208	40	82,5	111	11	53	18,5	16,5	43	66

Inserto con ghiera eccentrica, guarnizioni, versione aperta e chiusa / Insert with locking collar, sealed, open and close version / Flanschlager mit Exzenter-Klemmring, abgedichtet, offene und geschlossene Version

Chrome Steel	Part	Art-close	Part	Art-open	Series	d	I	A	C	D	E	F	G	H
	851	85104	852	85204	CS 208	40	82,5	111	11	60,3	18,5	16,5	53	66

FL/F/FB/UCT

Range Extended

Delivery: **Easy** Standard



Cuscinetti - Bianchi

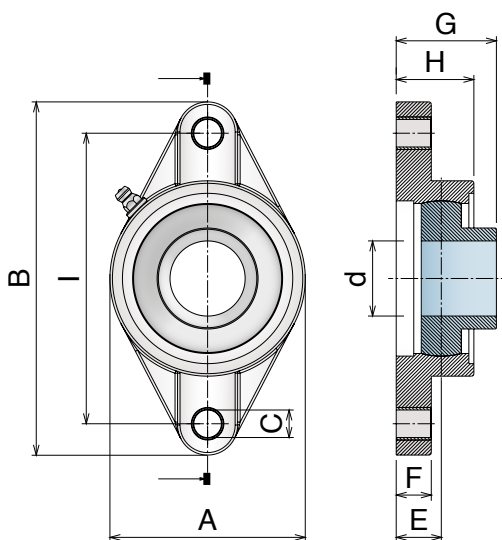
- Sede in Poliammide Bianco.
- I cuscinetti sono realizzati in Acciaio Inox, è possibile regolarli di 2.5° all'interno della flangia.
- L'ingrassatore viene realizzato in Acciaio Inox.
- Distanziali realizzati in Acciaio Inox.
- Rondella per ingrassatore realizzata in Polietilene.

Bearing units - White

- Housing in reinforced Polyamide, white
- Ball bearings are made in stainless steel, they allow a misalignment between shaft and housing of max. 2.5°.
- Grease nipple made in stainless steel.
- Spacers in stainless steel to reinforce fixing holes.
- Washer for grease nipple in PE.

Flanschlager - Weiss

- Lagergehäuse gefertigt aus verstärktem Polyamid, weiß.
- Lagereinsatz aus Edelstahl, alle Lager gleichen einen Fluchtungsfehler von bis zu 2,5° selbständig aus.
- Schmiernippel aus Edelstahl.
- Distanzstücke aus Edelstahl und verstärken die Befestigungsbohrungen.
- Unterlegscheibe für Schmiernippel aus Edelstahl.



FL Inserto standard Standard insert / Standard-Flanschlager

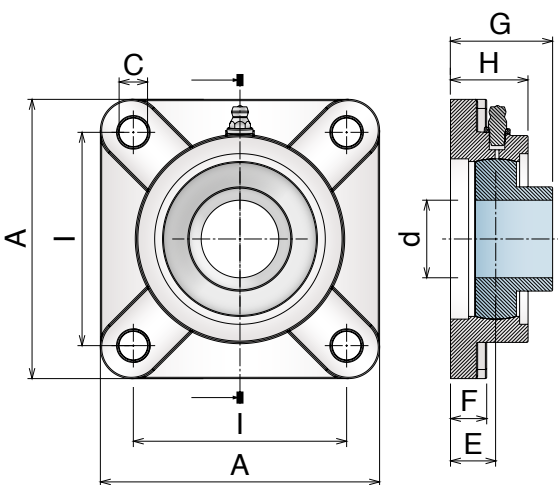
Stainless Steel Insert

Part	Article-Nr.	Series	d	I	A	B	C	E	F	G	H
813	81300	FL 204	20	90	64	113	11	15,4	11,4	33,7	26,5
813	81301	FL 205	25	99	70	131	11	17	13,5	36,7	29,1
813	81302	FL 206	30	117	80	148	11	19	13,3	41,2	30,5
813	81303	FL 207	35	130	90	164	13	18	16,1	43,4	32,8
813	81304	FL 208	40	144	100	176	14	21,5	20	51,7	37,5



Safety Cap

Series	Article-Nr.
FL 204	89801
FL 205	89802
FL 206	89803
FL 207	89804
FL 208	89805



F Inserto standard Standard insert / Standard-Flanschlager

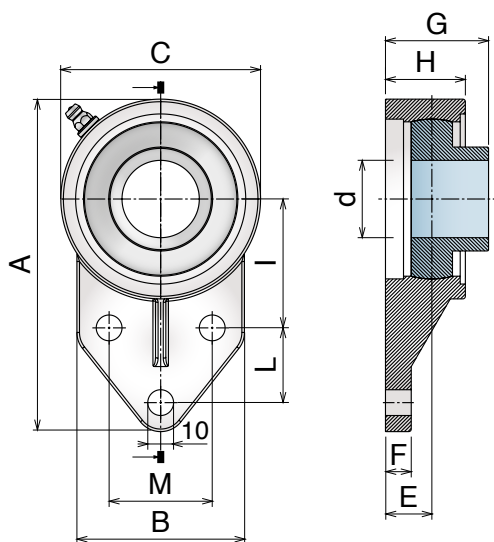
Stainless Steel Insert

Part	Article-Nr.	Series	d	I	A	C	E	F	G	H
814	81400	F 204	20	63,5	86	11	18	13,4	36,3	27,8
814	81401	F 205	25	70	95	11	17	14	36,7	28,0
814	81402	F 206	30	83	107	11	19,2	14,3	41,4	31,5
814	81403	F 207	35	92	118	13	21,5	15,5	46,9	34,8
814	81404	F 208	40	102	130	14	23	17	53,2	37,5



Safety Cap

Series	Article-Nr.
FL 204	89801
FL 205	89802
FL 206	89803
FL 207	89804
FL 208	89805



FB Inserto standard Standard insert / Standard-Flanschlager

Stainless Steel Insert

Part	Art.-Nr.	Series	d	A	I	L	M	C	B	E	F	G	H
815	81500	FB 204	20	108,5	42,9	22,2	38,1	62	62	15,4	12	33,7	26,2
815	81501	FB 205	25	120,6	46	28,6	41,3	68,5	63,5	21	12	40,7	33,5
815	81502	FB 206	30	140	52,4	31,8	47,6	83	75	19	14	41,2	31,5
815	81503	FB 207	35	157	60,3	31,8	50,8	95	89	21,4	16	46,8	36,5
815	81504	FB 208	40	164	60,3	41,3	50	100	78	22	18	47,5	35,7

FB Inserto standard Standard insert / Standard-Flanschlager

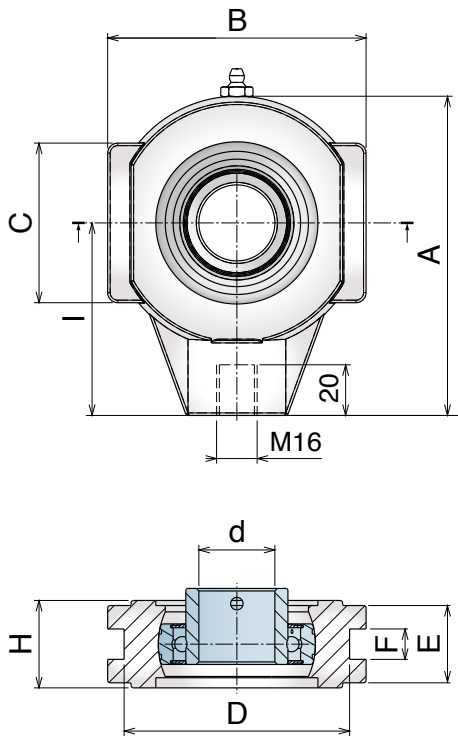
Chrome Steel Insert

Part	Art.-Nr.	Series	d	A	I	L	M	C	B	E	F	G	H
816	81600	FB 204	20	108,5	42,9	22,2	38,1	62	62	15,4	12	33,7	26,2
816	81601	FB 205	25	120,6	46	28,6	41,3	68,5	63,5	21	12	40,7	33,5
816	81602	FB 206	30	140	52,4	31,8	47,6	83	75	19	14	41,2	31,5
816	81603	FB 207	35	157	60,3	31,8	50,8	95	89	21,4	16	46,8	36,5
816	81604	FB 208	40	164	60,3	41,3	50	100	78	22	18	47,5	35,7



Safety Cap

Series	Article-Nr.
FL 204	89801
FL 205	89802
FL 206	89803
FL 207	89804
FL 208	89805



UCT Insetto standard Standard insert / Standard-Flanschlager

Stainless Steel Insert

Part	Art.-Nr.	Series	d	A	I	C	B	E	F	H	D
860	86000	UCT204	20	99	64	47	88	23,5	12	27,5	76
860	86001	UCT205	25	99	64	47	88	23,5	12	27,5	76
860	86002	UCT206	30	125	76	63	102	30,5	12	34,5	90
860	86003	UCT207	35	125	76	63	102	30,5	12	34,5	90
860	86004	UCT208	40	140	85	80	114	33,5	16	38,5	102

UCT Insetto standard Standard insert / Standard-Flanschlager

Chrome Steel Insert

Part	Art.-Nr.	Series	d	A	I	C	B	E	F	H	D
870	87000	UCT204	20	99	64	47	88	23,5	12	27,5	76
870	87001	UCT205	25	99	64	47	88	23,5	12	27,5	76
870	87002	UCT206	30	125	76	63	102	30,5	12	34,5	90
870	87003	UCT207	35	125	76	63	102	30,5	12	34,5	90
870	87004	UCT208	40	140	85	80	114	33,5	16	38,5	102



Safety Cap

Series	Article-Nr.
FL 204	89801
FL 205	89802
FL 206	89803
FL 207	89804
FL 208	89805

SUCF/SUCFL/SUCFK

Delivery: **Easy** Standard



Cuscinetti Acciaio Inox

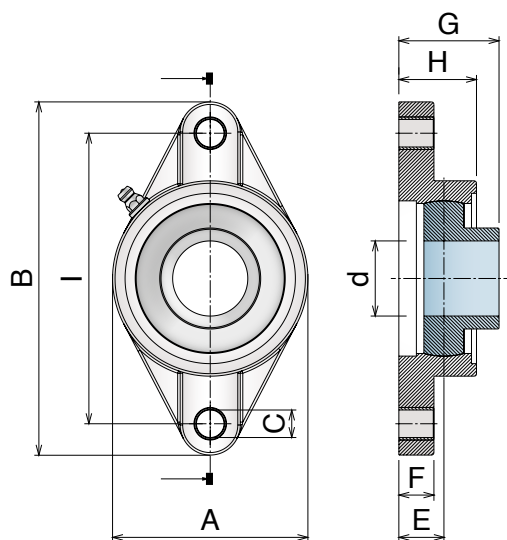
- Sede in Acciaio Inox, ottimale per l'utilizzo nei processi alimentari e farmaceutici.
- I cuscinetti sono realizzati in Acciaio inox, è possibile regolarli di 2.5° all'interno della flangia.
- Ingrassatore realizzato in Acciaio inox.
- Rondella per ingrassatore realizzata in Polietilene.

Bearing units in Stainless steel

- *Housing in stainless steel, best choice for processes in food or pharmaceutical industries.*
- *Ball bearings are made in stainless steel, they allow a misalignment between shaft and housing of max. 2.5°.*
- *Grease nipple made in stainless steel.*
- *Washer for grease nipple in PE.*

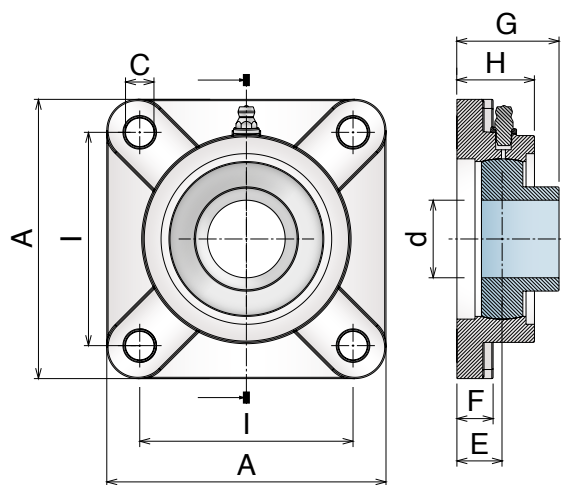
Flanschlager aus Edelstahl

- *Lagergehäuse aus Edelstahl, optimal für den Einsatz in der Lebensmittel- oder Pharmaindustrie.*
- *Lagereinsatz aus Edelstahl, alle Lager gleichen einen Fluchtungsfehler von bis zu 2,5° selbständig aus.*
- *Schmiernippel aus Edelstahl.*
- *Unterlegscheibe für Schmiernippel aus PE.*



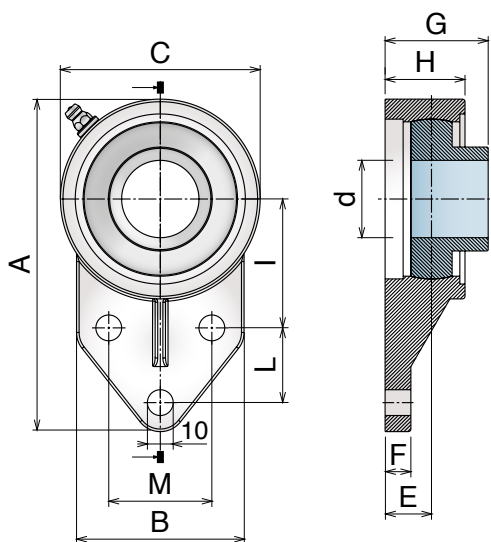
SUCFL Inserto standard Standard insert / Standard-Flanschlager

Part	Article-Nr.	Series	d	I	A	B	C	E	F	G	H
817	81700	SUCFL 204	20	90	60	113	12	15	11	33,3	25,5
817	81701	SUCFL 205	25	99	68	130	16	16	13	35,8	27
817	81702	SUCFL 206	30	117	80	148	16	18	13	40,2	31
817	81703	SUCFL 207	35	130	90	161	16	19	15	44,4	34
817	81704	SUCFL 208	40	144	100	175	16	21	15	51,2	36



SUCF Inserto standard Standard insert / Standard-Flanschlager

Part	Article-Nr.	Series	d	I	A	C	E	F	G	H
819	81900	SUCF 204	20	64	86	12	15	12	33,3	25,5
819	81901	SUCF 205	25	70	95	12	16	14	35,8	27
819	81902	SUCF 206	30	83	108	12	18	14	40,2	31
819	81903	SUCF 207	35	92	117	14	19	15	44,4	34
819	81904	SUCF 208	40	102	130	16	21	15	51,2	36



SUCFK Inserto standard Standard insert / Standard-Flanschlager

Part	Art.-Nr.	Series	d	A	I	L	M	B	C	E	F	G	H
821	82100	SUCFK 204	20	110	42	27	32	52	62	15	13	33,3	25,5
821	82101	SUCFK 205	25	116	45	27	34	56	68	16	13	35,8	27
821	82102	SUCFK 206	30	130	50	29	40	65	78	18	13	40,2	31
821	82103	SUCFK 207	35	144	55	32	46	70	90	19	15	44,4	34
821	82104	SUCFK 208	40	164	60	41	50	78	100	21	16	51,2	36

2019

Movex[®]
Global Thinking, Local Acting.

WE CREATE SOLUTIONS

Movex designs and manufactures high quality components for the food, beverage, packaging, automotive and automation industries.

Movex meets your needs for standard and custom products in a dynamic and responsive way ensuring always the best performance.

Movex S.p.A.

Via Industria, 22
24060 Castelli Calepio (BG)

P +39 035 8359711
F +39 035 4420873



info@movexii.com
movexii.com

Movex around the world

Movex GmbH
P +49-6204-9375-0

Movex Brasil Ltda
P +55-15-3141-2550

Movex France
P +33-0640592049

Movex AG India
P +91-120-4159660-62

Movex Russia
P +7 (495) 925-88-56

Movex UK Ltd.
P +44-77-20678442

Movex Nederland
P +31-630-994850

Movex USA Inc.
P +1-919-274-5477

Movex SA de CV
P +52-1-3318458187

Movex Ukraine
P +380-667507756